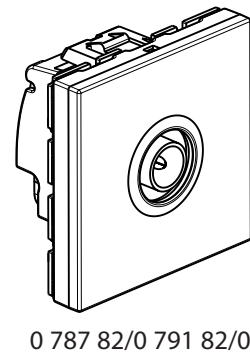
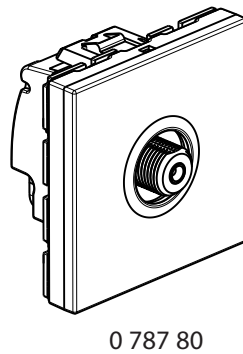
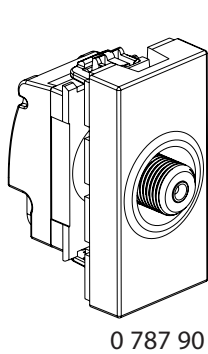


Mosaic™
Single television sockets

Cat. No(s): 0 787 80/82/90/93 - 0 791 82 - 0 792 92



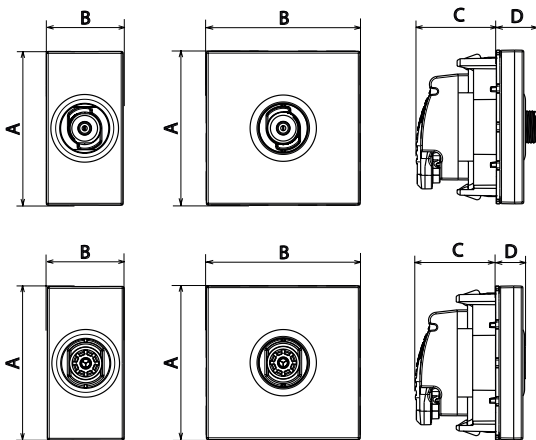
1. USE

Male TV socket Ø 9.52 mm and F type female TV socket screw-in connector - 0-2400 MHz
 Recommended cable 17/19 VATC
 Compatible with UHD terrestrial TV
 Shielded star (class A)

2. RANGE

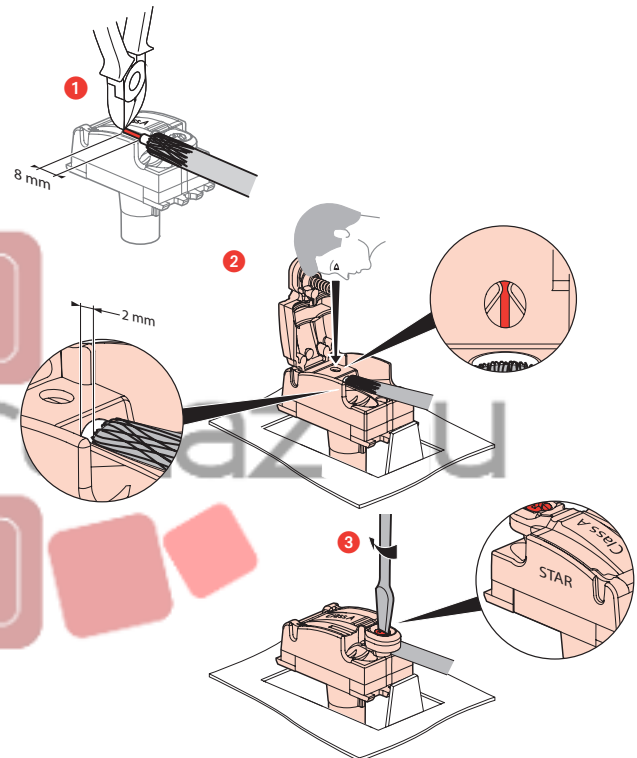
Cat. Nos.	Description	colour	No. of modules
0 787 80	Single F type female TV socket screw-in connector	white	2
0 787 90	Single F type female TV socket screw-in connector	white	1
0 787 82	Single male TV socket Ø 9.52 mm	white	2
0 791 82	Single male TV socket Ø 9.52 mm	anthracite	2
0 792 92	Single male TV socket Ø 9.52 mm	aluminium	2
0 787 93	Single male TV socket Ø 9.52 mm	white	1

3. DIMENSIONS (mm)

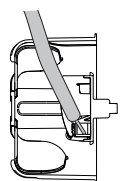
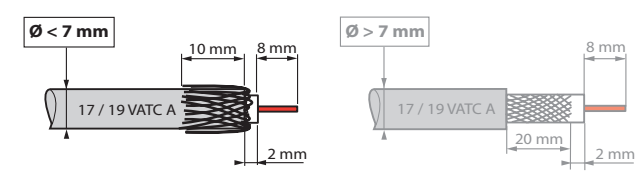


Cat. Nos.	A	B	C	D
0 787 80	45	45	23.4	12.2
0 787 90		22,5		
0 787 82 - 0 791 82 - 0 792 92		45	8.7	
0 787 93		22.5		

4. CONNECTION



5. WIRING PRECAUTIONS



By restricting deformation of the coaxial cable, the rear connection avoids impedance discontinuity, thereby sustaining performance.

6. TECHNICAL CHARACTERISTICS

■ **6.1 Mechanical characteristics**

Protection against solid bodies and liquids: IP 21
Protection against impacts: IK 04
Cable resistance 120 N: standard IEC 61169-24

■ **6.2 Material characteristics**

Casing: Poly gloss appearance

Colour: - White RAL 903
- Aluminium

Material: - Plate: ABS/PC
- Cover plate: ABS
- Halogen-free
- UV resistant

Motor: - Box: zamac
- Cover: zamac
- Pin: bronze
- Screws: steel

■ **6.3 Electrical characteristics**

- Characteristic impedance: 75 Ohm
- Male connector Ø 9.52 mm
- F type female screw-in connector
- Class A shielding efficiency (class A shielding is necessary to prevent interference caused by using new 3 and 4 G phone signals, as these unwanted signals can result in pixellation on screen or adversely affect the sound track).
- Frequency bands: TV/SAT : 0 - 2400 MHz
- Attenuation: 1 dB maximum
- Insulation resistance: standard IEC 61169-24
- Compatible with remote power supply

■ **6.4 Climate characteristics**

Storage and operating temperature: -5°C to +35°C

7. CARE

Clean the surface with a cloth.
Do not use acetone, tar-removing cleaning agents or trichloroethylene.
Resistant to the following products: Hexane (EN 60669-1), methylated spirit, soapy water, diluted ammonia, bleach diluted to 10%, window-cleaning products, pre-impregnated wipes.

Caution: Always test before using special cleaning products.

8. STANDARDS AND APPROVALS

- EN 50083-2
- EN 50083-4
- Class A certificate

pkml electronic GmbH
a member of the STC

Attestation of Conformity

We,
PKM electronic GmbH
Ohmstrasse 1
84160 Frontenhausen, Germany

confirm hereby that the product
(description of the apparatus, system, installation to which it refers)
**TV socket (star network) 5-2400MHz
SINGLE F TYPE TV SOCKET**
Brand: Legrand
complies with

Used Standard:
EN50083-2:2012 Cable networks for television signals, sound signals and interactive services - Part 2: Electromagnetic compatibility for equipment

The attestation based on a positive testing of a representative test sample.
The test sample fulfills the requirements of the above listed standard for **CLASS A**, tested according to Council Directive 2004/108/EC (EMC-Directive).

Date: 19.01.2016
Ref.No.: 15/13-0032
Based on Test report, Ref.No.: 15/10-0032
ACCREDITATION:
DIN EN ISO 17025-01:00

pkml electronic GmbH
Ohmstrasse 1
84160 Frontenhausen, Germany
Karl Seiser
Authorized Signature

TESTED IN GERMANY

pkml electronic GmbH
a member of the STC

Attestation of Conformity

We,
PKM electronic GmbH
Ohmstrasse 1
84160 Frontenhausen, Germany

confirm hereby that the product
(description of the apparatus, system, installation to which it refers)
**TV socket star network: 5-2400MHz
MECA TV ETOILE MALE**
Brand: Legrand
complies with

Used Standard:
EN50083-2:2012 Cable networks for television signals, sound signals and interactive services - Part 2: Electromagnetic compatibility for equipment

The attestation based on a positive testing of a representative test sample.
The test sample fulfills the requirements of the above listed standard for **CLASS A**, tested according to Council Directive 2004/108/EC (EMC-Directive).

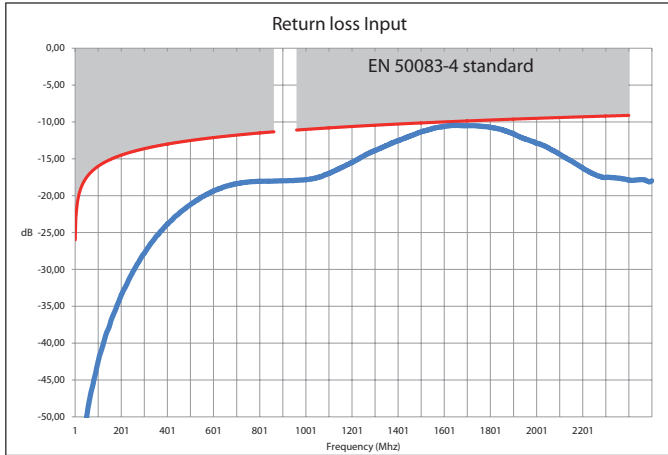
Date: 19.01.2016
Ref.No.: 15/02-0055
Based on Test report, Ref.No.: 15/03-0055
ACCREDITATION:
DIN EN ISO 17025-01:00

pkml electronic GmbH
Ohmstrasse 1
84160 Frontenhausen, Germany
Karl Seiser
Authorized Signature

TESTED IN GERMANY

9. PERFORMANCE

Single male TV socket



Single F type female TV socket screw-in connector

