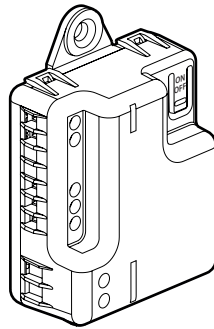


## Connected module for motorized garage and gate control

Cat. No(s): 0 676 96



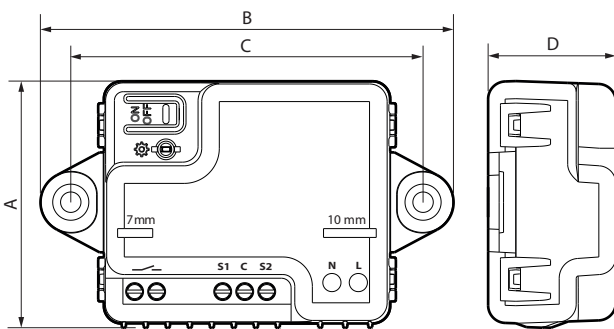
### 1. USE

Connected module.  
 Enables to open and close any type of gate and garage door in local, remote or by voice (via a voice assistant).  
 Status display (open/closed/blocked) in Home + Control App.  
 Can be controlled by a wireless shutter control.  
 Requires prior the installation of a "with Netatmo" starter pack.  
 Zigbee 3.0 compatible.  
 Equipped with 2 breakable fixation joints for Plexo box 105 x 105 mm.  
 Installation possible in Plexo box IP55 80 x 80 mm or higher.

### 2. RANGE

| Description   | Cat. No. |
|---|----------|
| Connected module for motorized garage and gate control. Delivered with 2 wired position sensors (3 m). Equipped with an LED indicator (configuration) and a RESET button (hidden) used to return to factory settings. | 0 676 96 |

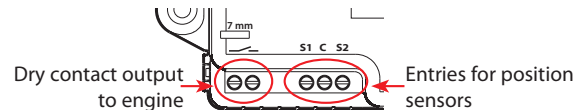
### 3. DIMENSIONS (mm)



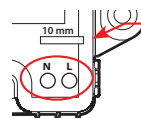
| A  | B  | C  | D  |
|----|----|----|----|
| 56 | 94 | 80 | 29 |

### 4. CONNECTION

Type of terminals: with screws

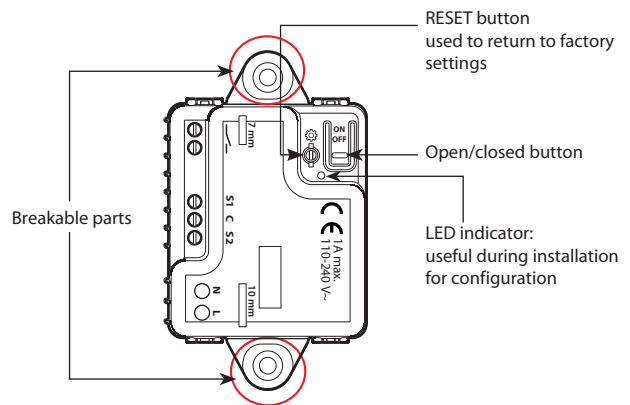


Terminal capacity: 1 x 1.5 mm<sup>2</sup>  
 Stripping length: 7 mm



Neutral / Live  
 Terminal capacity: 2 x 1.5 mm<sup>2</sup>  
 Stripping length: 10 mm

### 5. OPERATION



## 6. TECHNICAL CHARACTERISTICS

### ■ 6.1 Mechanical characteristics

Protection against impacts: IK 04

Protection against solid bodies/liquids: IP 20

### ■ 6.2 Material characteristics

Polycarbonate

Self-extinguishing:

850°C/30 s for insulating components holding live parts in place.

650°C/30 s for other insulating components.

### ■ 6.3 Electrical characteristics

#### Zigbee radio technology

Frequency bands: 2.4 GHz to 2.4835 GHz

Power level: < 100 mW

7 terminals: 2 outputs, dry contact

3 inputs, open/closed sensors (S1 - C - S2)

1 phase

1 neutral

Standby consumption: 0.2 W

Power: 1 A max.

Voltage: 100-240 V~

Frequency: 50/60 Hz

### ■ 6.4 Climate characteristics

Usage temperature: +5°C to +45°C

Storage temperature: 0°C to +45°C

## 7. CARE

Clean the surface with a cloth.

Do not use acetone, tar-removing cleaning agents or trichloroethylene.

**Caution:** Always test before using special cleaning products.

## 8. STANDARDS AND APPROVALS

The undersigned, LEGRAND, declares that the radio-electric equipment type (0 676 96) complies with directive 2014/53/EU.

The full text of the EU declaration of conformity is available on the following website: [www.legrandoc.com](http://www.legrandoc.com)