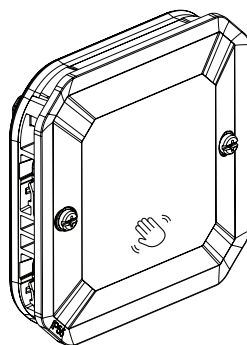


Plexo™

Cat. No(s): 0 695 95L

Contactless switch for door, gate release, electromagnetic suction pad



1. USE

Weatherproof wiring accessory system for residential and professional plant rooms (garages, cellars, car parks, industrial workshops and kitchens) as well as outdoor environments (terraces, gardens, camp sites, etc).

Opens the door by simply passing a hand in front of the switch.

Detection distance adjustable from 10 cm (default) to 30 cm.

Available modes:

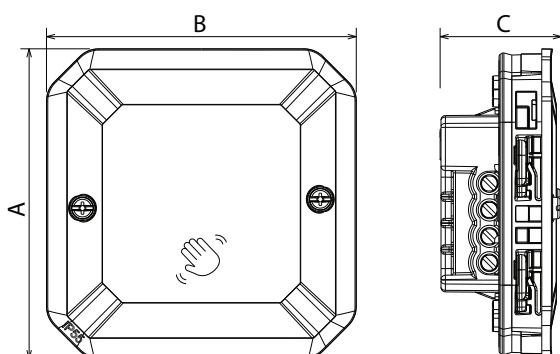
- Maintained mode/pulse mode (default mode)
- NC mode/NO mode (default mode)

Mechanism can be flush-mounted and surface-mounted with casing and support.

2. RANGE

Description	Grey
Contactless switch for door, gate release, electromagnetic suction pad. With illuminated indicator, active by default (can be deactivated). Mechanism supplied with adaptor support.	0 695 95L

3. DIMENSIONS (mm)



A	B	C
70.3	70.3	27.5

4. CONNECTION

Terminal type: with screws

Terminal capacity: 2 x 2.5 mm²

Stripping length: 8 mm

5. TECHNICAL CHARACTERISTICS

■ 5.1 Mechanical characteristics

Protection against solid bodies and liquids: IP 55

Impact tests: IK 06

■ 5.2 Material characteristics

Mechanism casing: PC

Adaptor support: PP + SEBS

Blanking plate: Black PE polygloss finish

Halogen-free

UV-resistant

Self-extinguishing:

850°C/30 s for insulating components holding live parts in place.

650°C/30 s for other insulating components.

■ 5.3 Electrical characteristics

Supply voltage: 12 - 24 - 48 VDC

Power: 24 VA

Frequency: 50/60 Hz

■ 5.4 Climate characteristics

Usage temperature: -10°C to +40°C

Storage temperature: -25°C to +60°C

6. CARE

Surface cleaning with a cloth.

Do not use: acetone, tar remover, trichloroethylene.

Resistance to the following cleaning products:

Hexane, methylated spirit, soapy water, diluted ammonia, pure bleach diluted to 10%, window-cleaning products, pre-impregnated wipes.

Caution: Always test before using other special cleaning products.

7. STANDARDS AND APPROVALS

Compliant with installation and manufacturing standards.

See e.catalogue.