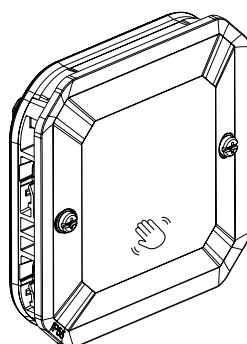


Plexo™

Contactless switch for light

Cat. No(s): 0 695 86L



1. USE

Weatherproof wiring accessory system for residential and professional plant rooms (garages, cellars, car parks, industrial workshops and kitchens) as well as outdoor environments (terraces, gardens, camp sites, etc).

Lighting control mechanism that switches the light on or off by simply passing a hand in front of the switch.

Detection distance: approximately 6 cm.

Can be used as:

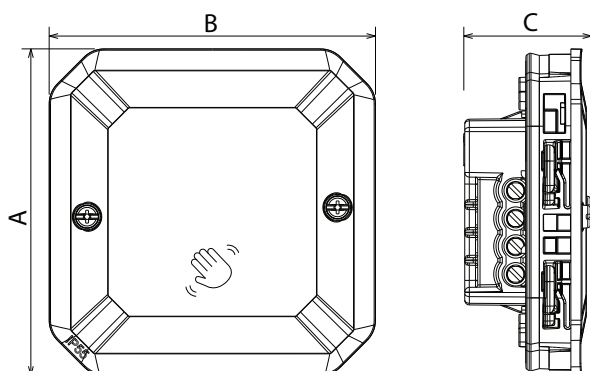
- Simple switch: wired without neutral
- 2-way switch: must be wired with neutral
- Master/slave: must be wired with neutral, 3 slaves max.
- NO pushbutton: must be wired with neutral, for controlling a relay, latching relay or "with Netatmo" micromodule.

Mechanism can be flush-mounted and surface-mounted with casing and support.

2. RANGE

Designation	Grey
Contactless switch for light. With illuminated indicator, active by default (can be deactivated). Mechanism supplied with adaptor support.	0 695 86L

3. DIMENSIONS (mm)



A	B	C
70.3	70.3	27.5

4. CONNECTION

Type of terminals: with screws
 Terminal capacity: 2 x 2.5 mm²
 Stripping length: 8 mm

5. TECHNICAL CHARACTERISTICS

■ 5.1 Mechanical characteristics

Protection against solid bodies and liquids: IP 55
 Impact tests: IK 06

■ 5.2 Material characteristics

Mechanism casing: PC
 Adaptor support: PP + SEBS
 Blanking plate: Black PE, polygloss finish

Halogen-free
 UV-resistant

Self-extinguishing:

850°C/30 s for insulating components holding live parts in place.
 650°C/30 s for other insulating components.

■ 5.3 Electrical characteristics

Itage: 110/240 V~
 Power: 200 W
 Frequency: 50/60 Hz

■ 5.4 Climate characteristics

Usage temperature: -10°C to +40°C
 Storage temperature: -25°C to +60°C

6. CARE

Surface cleaning with a cloth.

Do not use: acetone, tar remover, trichloroethylene.

Resistance to the following cleaning products:

Hexane, methylated spirit, soapy water, diluted ammonia, pure bleach diluted to 10%, window-cleaning products, pre-impregnated wipes.

Caution: Always test before using other special cleaning products.

7. STANDARDS AND APPROVALS

Compliant with installation and manufacturing standards.
 See e.catalogue.