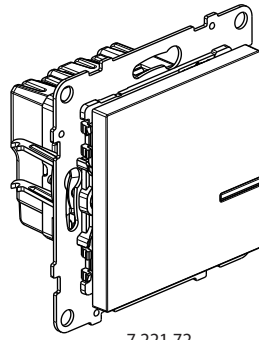
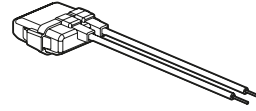


**SUNO™ - SEANO™**  
**Connected switch without neutral**  
**with dimmer option**

**Cat. No(s): 7 221 72 - 7 222 72 - 7 223 72 - 7 224 72**  
**7 656 32 - 7 657 32 - 7 658 32 - 7 659 32**



7 221 72



0 401 49

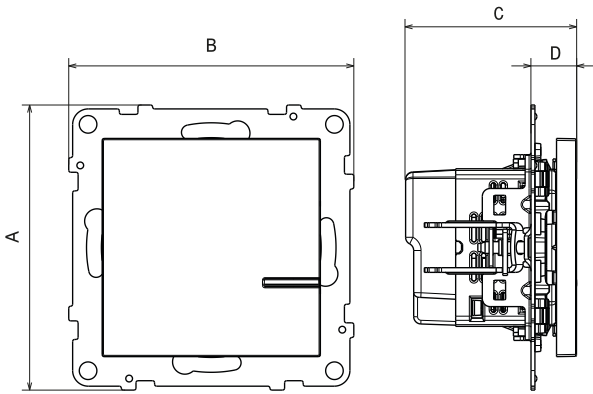
**1. USE**

Connected switch without neutral with dimmer option, configured by default as ON/OFF.  
 Can be combined with one or more wireless lighting controls (dimmer mode can be activated from the Home + Control app).  
 For local or remote control of your lighting.  
 Supplied with an active power compensator (Cat. No. 0 401 49), mandatory to ensure optimum operation with commercially-available lamps.  
 One compensator per lighting circuit is sufficient.  
 Easy to install in place of a standard switch in a box 40 mm deep (minimum). Claw and/or screw fixing.

**2. RANGE**

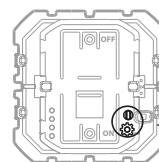
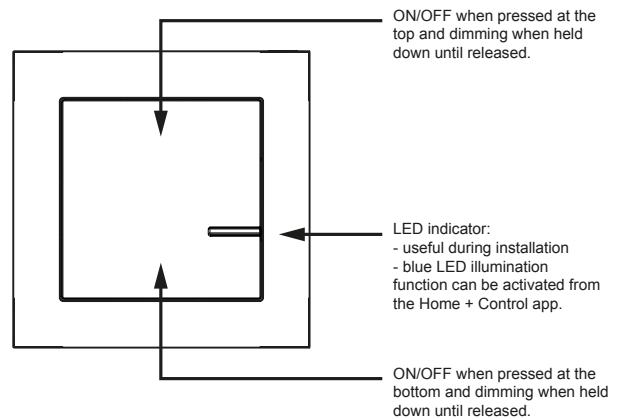
Description	Family	White	Ivory	Aluminum	Black	Dark Grey
Connected light dimmer switch without neutral 5-300W bleeder inc.	SUNO	7 221 72	7 222 72	7 223 72	7 224 72	-
	SEANO	7 656 32	-	7 657 32	7 658 32	7 659 32

**3. DIMENSIONS (mm)**



A	B	C	D
73	73	43.5	11.5

**5. OPERATION**



SETUP/RESET button see the manual

**4. CONNECTION**

Terminal type : with screws  
 Terminal capacity: 1 x 2.5 mm<sup>2</sup> - 2 x 1.5 mm<sup>2</sup>  
 Stripping length: 8 mm  
 Screwdriver: 3 mm flat

## Connected switch without neutral with dimmer option

### 6. TECHNICAL CHARACTERISTICS

#### ■ 6.1 Mechanical characteristics

Protection against impacts: IK 04

Protection against solid bodies/liquids: IP 20

#### ■ 6.2 Material characteristics

Plate: ABS

Sub-plate: PC

Rocker: ABS

Mechanism casing: PC

Support: Grey PC RAL 7016 + metal

Colours: White RAL 9003

Ivory RAL 1013

Painted Aluminium, Black, Dark Grey

Halogen-free

UV-resistant

Self-extinguishing:

850°C/30 s for insulating parts holding live parts in place.

650°C/30 s for components.

#### ■ 6.3 Electrical characteristics

Voltage: 110-240 V~

Power: 300 W

Frequency: 50/60 Hz

Standby consumption: < 2.2 mA

Zigbee technology 2.4 GHz to 2.4835 GHz

Power level: < 100 mW

Range: 200 m of unobstructed space

10 m between products indoors

#### ■ 6.4 Climate characteristics

Usage temperature: + 5°C to + 45°C

Storage temperature: 0°C to + 45°C

### 7. MAINTENANCE

Clean the surface with a cloth.

Do not use acetone, tar-removing cleaning agents or trichloroethylene.

Resistant to the following products: Hexane, methylated spirit, soapy water, diluted ammonia, bleach diluted to 10%, window-cleaning products, pre-impregnated wipes.

**Caution:** Always test before using other special cleaning products.

Do not paint the cover plate!

### 8. STANDARDS AND APPROVALS

Compliant with installation and manufacturing standards.

See e-catalogue.

The undersigned, LEGRAND, declares that the radio-electric equipment

type (Cat. Nos 7 221 72 - 7 222 72 - 7 223 72 - 7 224 72 - 7 656 32 - 7 657

32 - 7 658 32 - 7 659 32) complies with directive 2014/53/EU. The full

text of the EU declaration of conformity is available on the following

website: [www.legrand.com/ecatalogue](http://www.legrand.com/ecatalogue)