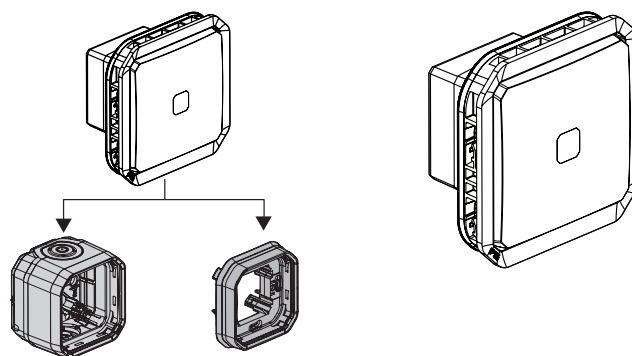


Plexo™

Illuminated time lag switch

Cat. No(s): 0 695 04L
0 696 04L
0 698 04L



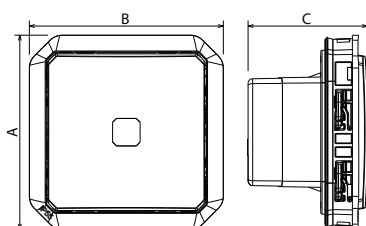
1. USE

Waterproof equipment system intended for residential and professional technical locations (garages, cellars, car parks, workshops and industrial kitchens, etc.) as well as outdoor environments (terraces, gardens, campsites, etc.).
Lighting or heating control mechanisms with a time delay on switching off.
Luminous product (LED integrated into the mechanism).

2. RANGE

		References: Designations
Configurable		0 695 04L
		0 696 04L
		0 698 04L

3. OVERALL DIMENSIONS (mm)



	A	B	C
Configurable	70.5	70.5	43.4

4. CONNECTION

Type of terminals: screw
Terminal capacity: 1.5 mm² - 2.5 mm² (1 or 2 conductors)
Stripping length: 6 mm

5. TECHNICAL CHARACTERISTICS

■ 5.1 Protection index

Protection against solid bodies and liquids: IP 55
Protection against impact: IK 07

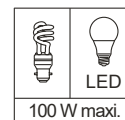
■ 5.2 Material characteristics

Rocker : ABS + PC
Cover plate: PP + SEBS
Mechanism: PC
UV-resistant
Halogen-free
Resistance to salt spray: 7 days (168 h)

Self-extinguishing:
850°C/30 s for insulating components holding live parts in place.
650°C/30 s for other insulating components.

■ 5.3 Electrical characteristics

Voltage: 250 V~
Current: 8 A
Maximum power on lamps with integrated ballast (LED lamps and compact fluorescent): 100 W
Frequency: 50- 60 Hz



■ 5.4 Climate characteristics

Usage temperature: 0° to + 35° C
Storage temperature: - 25° C to + 60° C

6. CLEANING

Surface cleaning with a cloth.
Do not use: acetone, tar remover, trichloroethylene.

Maintenance with the following products: Hexane (EN 60669-1), Methylated spirit, Soapy water, Diluted ammonia, Bleach diluted to 10%, Window-cleaning products, Pre-saturated wipes.

Caution: A preliminary test should be carried out if other specific cleaning products are to be used.

7. STANDARDS AND APPROVALS

Compliance with standards of installation and manufacturing.
Refer to e.catalogue.