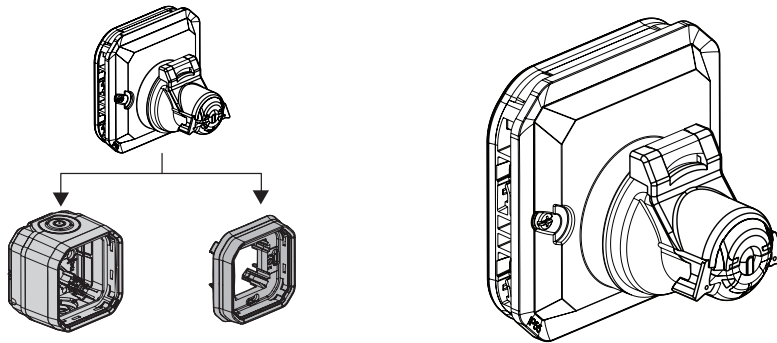


Plexo™ Adapters for RJ 45 sockets

Cat. No(s): 0 695 81L




1. USE

Waterproof equipment system intended for residential and professional technical locations (garages, cellars, car parks, workshops and industrial kitchens, etc.) as well as outdoor environments (terraces, gardens, campsites, etc.).

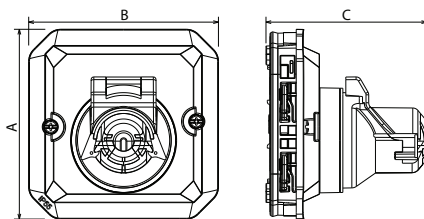
Adapter for RJ45 socket.

Ensures IP 44 sealing with the cord engaged.

2. RANGE

		Références
Configurable		0 695 81L

3. DIMENSIONS (mm)



	A	B	C
Configurable	70.5	70.5	59.63

4. TECHNICAL CHARACTERISTICS

■ 4.1 Protection index

Protection against solid bodies and liquids: IP 44

Protection against impact: IK 07

■ 4.2 Material characteristics

Cover: PP + SEBS

Cover plate: PP + SEBS

UV resistant

Halogen free

Resistance to salt spray: 7 days (168 h)

Self-extinguishing:

850° C / 30 s for insulating parts holding live parts in place

650° C / 30 s for other parts made of insulating materials

■ 4.3 Climatic characteristics

Use temperature : - 10° à + 40° C

Storage temperature: - 25° C à + 60° C

5. CLEANING

Surface cleaning with a cloth.

Do not use: acetone, tar remover, trichloroethylene.

Maintenance with the following products: Hexane (EN 60669-1), Methylated spirit, Soapy water, Diluted ammonia, Bleach diluted to 10%, Window-cleaning products.

Caution: A preliminary test should be carried out if other specific cleaning products are to be used.

6. STANDARDS AND APPROVALS

Compliance with standards of installation and manufacturing.
 Refer to e. catalogue.