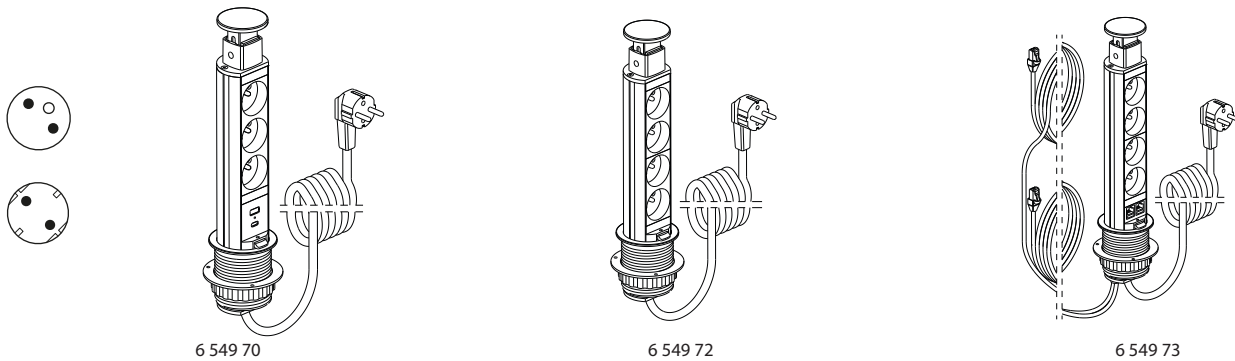


**Incara™
 Tower 60**

Cat. No(s) : 6 549 70 to 77



1. USE

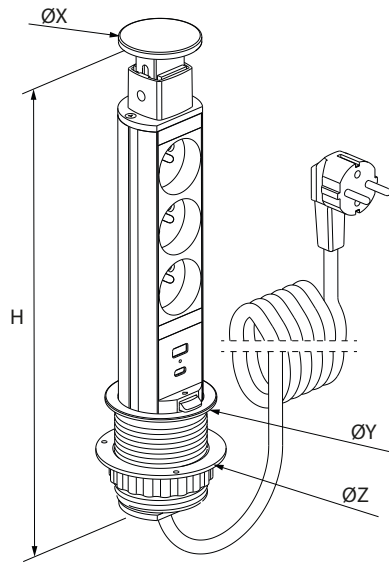
Incara™ Tower 60 is a retractable multi-outlet to be recessed into meeting tables. It offers a discreet electrical and data connection with its reduced diameter of 60mm.

2. RANGE

Incara™ Tower 60 with 2 m cord			Standards	
			French	Schuko
3x 2P+E	1 USB A+C	-	6 549 70	6 549 74
		2 RJ45 cat.6 FTP 1 mod.	6 549 71	6 549 75
4x 2P+E	-	-	6 549 72	6 549 76
		2 RJ45 cat.6 FTP 1 mod.	6 549 73	6 549 77

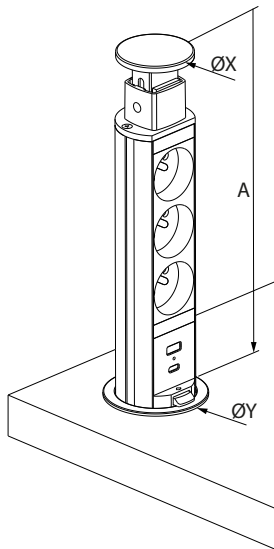
3. DIMENSIONS

■ 3.1 Overall dimensions



Cat. Nos	H	ØX	ØY	ØZ
6 549 70/72/74/76	334	54	72.4	84.4
6 549 71/75	367			
6 549 73/77	357			

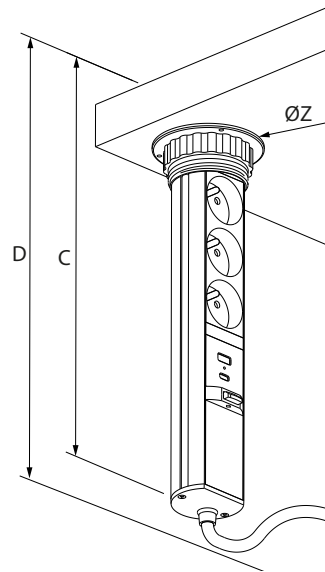
■ 3.2 Product installed & in opened position above table



Cat. Nos	A	ØX	ØY
6 549 70/72/74/76	260	54	72.4
6 549 71/75	293		
6 549 73/77	283		

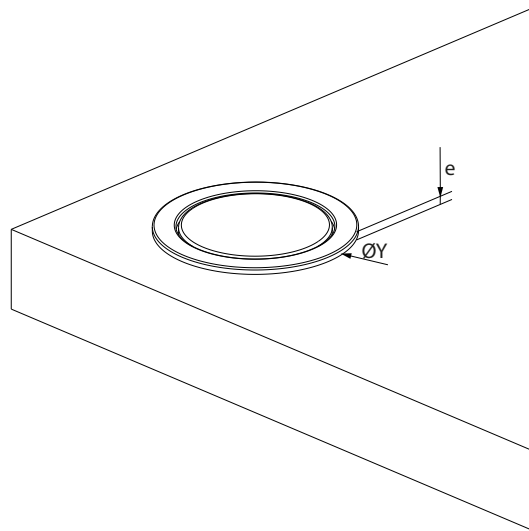
3. DIMENSIONS (cont.)

■ 3.3 Product installed & in opened position under table



Cat. Nos	C	D	ØZ
6 549 70/72/74/76	331.5	356.5	84.4
6 549 71/75	364	389	
6 549 73/77	354	379	

■ 3.4 Product installed & in closed position



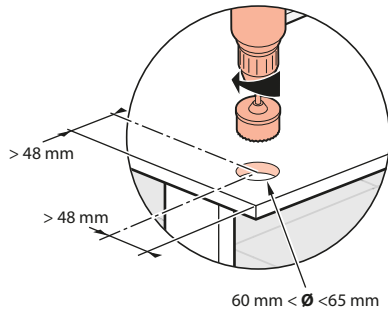
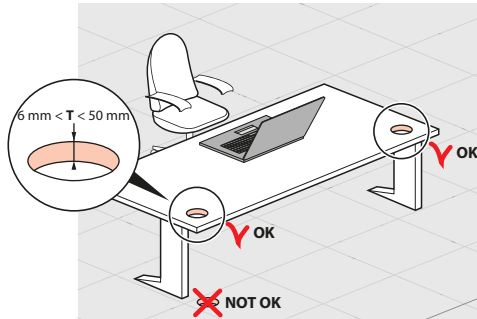
Cat. Nos	ØY	e
6 549 70/72/74/76	72.4	2.6
6 549 71/75		
6 549 73/77		

4. INSTALLATION

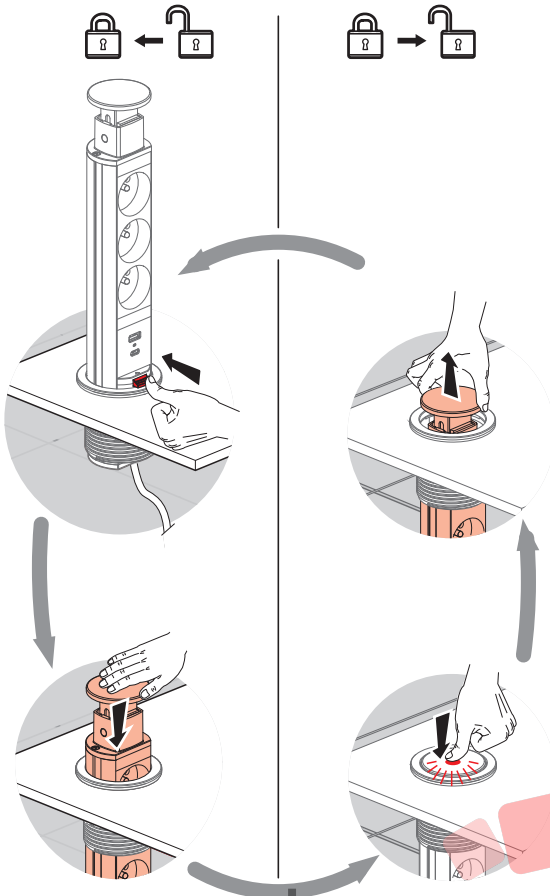
Must not be fitted on the floor.

4.1 Installation into the desk

4.1.1 Drilling dimensions



4.1.2 Use



5. TECHNICAL CHARACTERISTICS

5.1 Mechanical characteristics

Resistance to Impact: IK 07

Degree of protection provided by enclosures: IP 20

5.2 Material characteristics

Body: anodised aluminium

Finishing ring and end cap: stainless steel

Plastic parts: PA

5.3 Electrical characteristics

5.3.1. 2P+T sockets characteristics

- Supply voltage: 16A-250V~ 3680W Max

- Frequency: 50/60 Hz

5.3.2 RJ45 & patch cords characteristics

compliant to PoE++

5.3.3 USB charger characteristics (2UC-AC1)

Trade mark	
Address	128, av. du Maréchal-de-Lattre-de-Tassigny - 87045 LIMOGES Cedex Tel. : 0 (+33) 5 55 06 87 87 - Fax : 0 (+33) 5 55 06 88 88 www.legrand.com
Input voltage	220-250V
Input AC frequency	50-60Hz
Output voltage	5,0V
Output current	3,1A
Output power	15,5W
Average active efficiency	82,1%
Efficiency at low load (10%)	82,2%
No-load power consumption	0,03W

5.3.4 Cords type

H05VV-F 3G 1.5mm²

5.4 Climate characteristics

Operating temperature: from -5°C to +35°C

Storage temperature: from -10°C to +70°C

6. SAVE

Superficial cleaning with a soft cloth. Do not use abrasive products or detergents.

Caution: Always test before using other special cleaning products

7. STANDARDS & APPROVALS

Compliant to:

Standards	
French	Schuko
NF C61-314 and IEC 60884-1	IEC 60884-1

USB charger compliant to IEC 62368-1.

Products should be installed by competent persons to the current version of the local wiring regulations.

Please consult Legrand locally for further details.