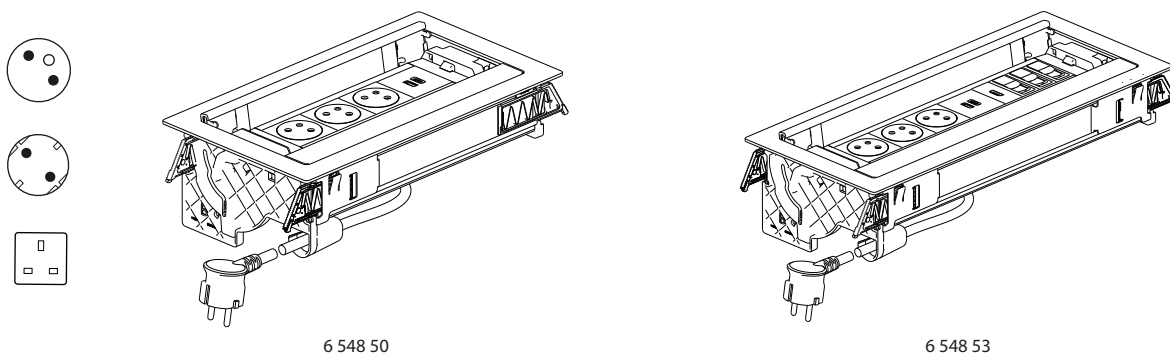


Incara™ Flip Up

Cat. No(s) : 6 548 50 to 69



1. USE

Designed for meeting room tables, Incara™ Flip Up provides users with power, data and audio-video in a functional and aesthetic way. A simple pressure on the cover triggers an automatic opening of the product giving access to the sockets from both sides of the table and, once all devices are connected, the cover can be closed. Incara™ Flip Up is available in 2 sizes and 3 finishes: white, black and metal.

2. RANGE

2.1 French & Schuko standards

Incara™ Flip Up with 2 m cord - Metal finish -				Standards			
				French		Schuko	
				8 mod.	12 mod.	8 mod.	12 mod.
2x 2P+E	1 USB A+C	1 RJ45 cat.6 FTP 1 mod	1 HDMI	6 548 51	-	-	-
		1 RJ45 cat.6 UTP 1 mod		-	-	6 548 55	-
3x 2P+E	1 USB A+C	3 RJ45 cat.6 FTP 1 mod	1 HDMI	-	6 548 53	-	-
		3 RJ45 cat.6 UTP 1 mod		-	-	-	6 548 57
		-	-	6 548 50	-	6 548 54	-
5x 2P+E	1 USB A+C	-	-	-	6 548 52	-	6 548 56

2.2 British standard

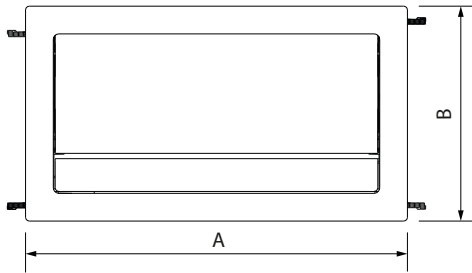
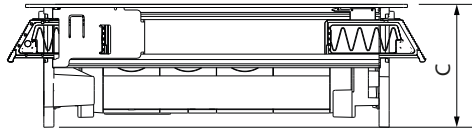
Incara™ Flip Up with 2 m cord - Metal finish -				British standard - 2m cord equipped with					
				plug BS1363		GST connector		Intersoc R connector	
				8 mod.	12 mod.	8 mod.	12 mod.	8 mod.	12 mod.
1x 2P+E	1 USB A+C	2 RJ45 cat. 6 UTP 1 mod	1 HDMI	6 549 59	-	-	-	-	-
				-	-	6 549 61	-	-	-
				-	-	-	-	6 549 63	-
2x 2P+E	1 USB A+C	-	-	6 549 58	-	6 549 60	-	6 549 62	-
		3 RJ45 cat.6 UTP 1 mod	1 HDMI	-	6 549 65	-	6 549 67	-	6 549 69
3x 2P+E	1 USB A+C	-	-	-	6 549 64	-	6 549 66	-	6 549 68

Black and white finishes available on demand.

HDMI & RJ45 coupler = female/female

Other wiring devices combinations possible on demand

3. DIMENSIONS



	A	B	C
8 modules	303	170.5	97.5
12 modules	393		

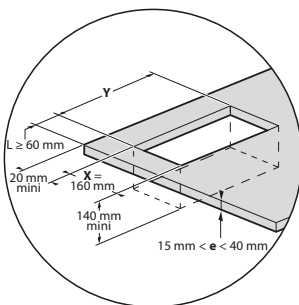
4. INSTALLATION

Must not be fitted on the floor.

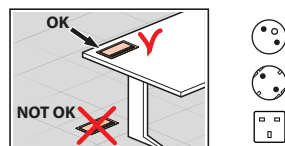
■ 4.1 Into furniture

4.1.1 Drilling dimensions and max cut-out radius in corners

4.1.2.1 Sharp edges cut-out



	Y ± 1 mm
6 548 50/51/54/55	286
6 549 58/59/60/61/62/63	
6 547 52/53/56/57	376
6 549 64/65/66/67/68/69	

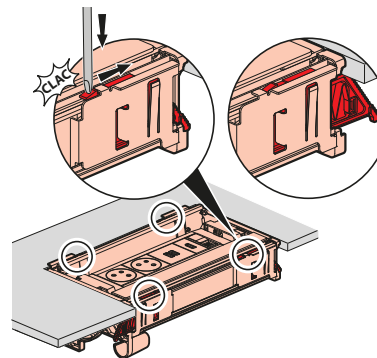
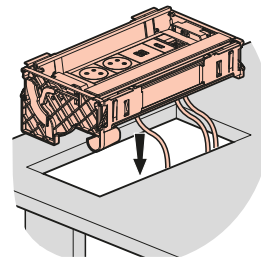


4. INSTALLATION (cont.)

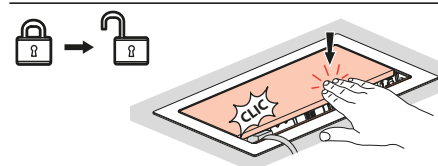
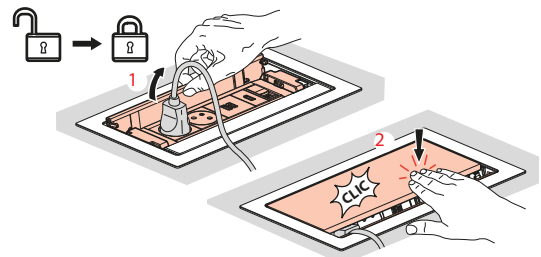
4.1.2.2 CNC machining cut-out



4.1.2 Insertion and fixing



4.1.3 Use



5. TECHNICAL CHARACTERISTICS

■ **5.1 Mechanical characteristics**

Resistance to Impact: IK 07
Degree of protection provided by enclosures: IP 30

■ **5.2 Material characteristics**

- Housing + rotating mechanism: ABS
- Housing:
 - . Galvanised steel (Z275)
 - . Aluminium
- Multi-outlet: black anodised aluminium
- Finishing frames:
 - . Brushed aluminium: with varnish
 - . Painted aluminium : mat black

■ **5.3 Electrical characteristics**

5.3.1 2 P+E sockets characteristics

- Supply voltage: 250V~
- Frequency: 50/60 Hz
- Rated current:
 - . for French & Schuko standards = 16A
 - . for British standard : individually fused = 5A

5.3.2 USB charger characteristics (LXX15)

refer to the data sheet of USB charger cat. no. 0 791 93L (mat black)

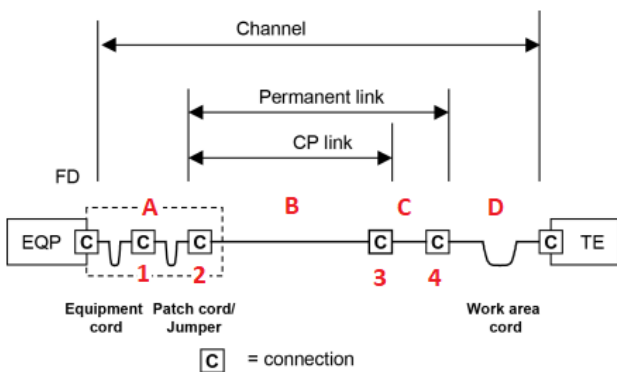
5.3.3 Coupler RJ45 characteristics

5.3.3.1 Performance of link

Standard performance at 20°C

Following chart indicates maximal distances according to several configurations

CP Cord (C)	Maximum CP link (B)	TR Cord(s) (A)	Work Area Cord (D)	Total Channel
8 m	74 m	5 m	5 m	92 m
15 m	63 m			88 m
20 m	56 m			86 m



- 1 - Optional replication panel used only in specific 4-connector channels
- 2 - Panel
- 3 - Outlet (considered as a consolidation point)
- 4 - Incara Product (considered as an outlet in a 3-connector permanent link)

5. TECHNICAL CHARACTERISTICS (cont.)

5.3.3.2 POE Compliances

PoE++ type 1, 2, 3 and 4 according to 802.3 standard.

For more informations about performance with POE please refer to Legrand documentation (Legrand POE Guide)

5.3.4 Cords characteristics

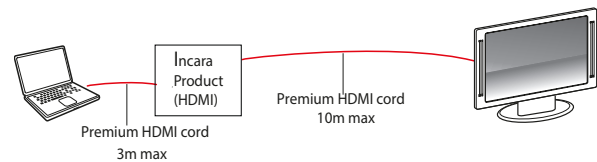
HO5-VV-F 3G1.5mm²

■ **5.4 Audio/Video characteristics (HDMI coupler)**

These values are subject to installation in accordance with good engineering practice and connection in compliance with current standards. Additional accessories and cords must comply with the same criteria.

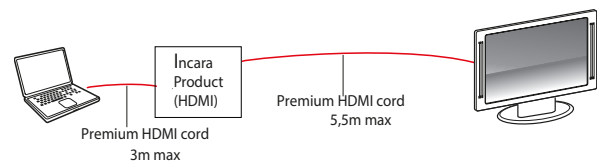
5.4.1 HDMI 1.4

Maximum resolution (pixels) : 1080p



5.4.2 HDMI 2.0 version

Maximum resolution (pixels) : 2160p
16/9 format: 2160 p, 60Hz, RGB
21/9 format: 3840 x 2160p, 60Hz, RGB



■ **5.5 Climate characteristics**

Operating temperature: from -5°C to +35°C
Storage temperature: from -10°C to +70°C

6. CLEANING

Superficial cleaning with a soft cloth. Do not use abrasive products or detergents.

Caution: Always test before using other special cleaning products

7. STANDARDS & APPROVALS

Compliant to:

Standards			
French	Schuko	British	
		socket	complete product
NF C61-314 and IEC 60884-1	IEC 60884-1	BS 1363-2	BS 5733

USB charger compliant to IEC 62368-1

Products should be installed by competent persons to the current version of the local wiring regulations.

Please consult Legrand locally for further details.