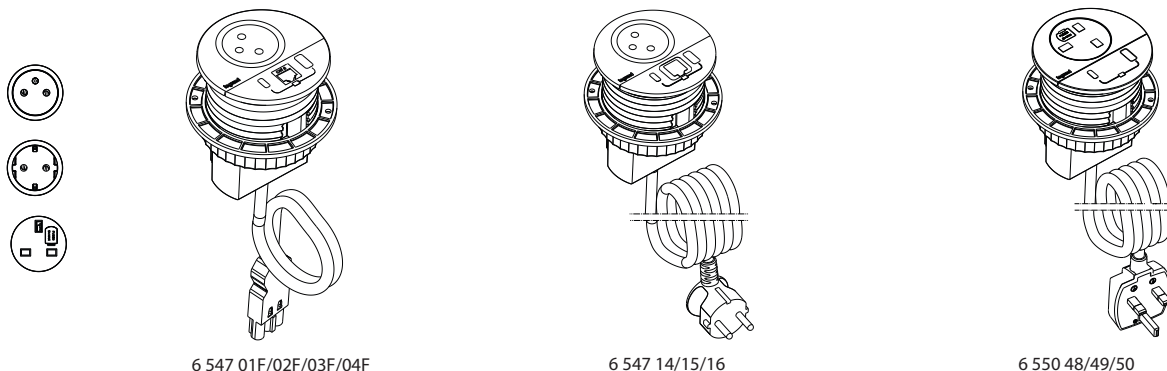


**Incara™
 Disq 80**

Cat. No(s): 6 547 01/02/03/04/05/07/08/10/11/12/13/14/15/16/01F/02F/03F/04F/05
 F/07F/08F/10F/11F/12F/13F/14F/15F/16F - 6 547 99 -
 6 549 41/42/43/44/45/46/47/48/49/50/51/52/53/54/55/86/87/88/89 - 6 550
 15/16/17/40/41/42/43/44/45/46/47/48/49/50/51/52/53/40F/41F/42F/43F/44F/45F/
 46F/47F



1. USE

Ideal solution for the nomad worker, Incara™ Disq 80 provides 3 functions in an 80mm integration diameter: power socket, USB A+C 15W, RJ 45 or cable exit for quick and ergonomic connection of mobile devices. Incara™ Disq 80 is available in 3 finishes: white, black, metal or with a metal sliding cover.

2. RANGE

■ 2.1 French & Schuko standards

Incara™ Disq 80 equipped with			Standards	2 m cord with 2P+E plug				0,5 m cord with Wieland® GST18i3 plug			
				White*	Black*	Metal*	Metal cover	White*	Black*	Metal*	Metal cover
1x 2P+E	1 USB A+C	-	French	6 550 40	6 550 41	6 550 42	6 550 43	6 555 40F	6 550 41F	6 550 42F	6 550 43F
		1 RJ45 CAT6 FTP		6 547 01	6 547 02	6 547 03	6 547 04	6 547 01F	6 547 02F	6 547 03F	6 547 04F
		1 cable exit		6 547 05	6 547 07	6 547 08	-	6 547 05F	6 547 07F	6 547 08F	-
		-	Schuko	6 550 44	6 550 45	6 550 46	6 550 47	6 550 44F	6 550 45F	6 550 46F	6 550 47F
		1 RJ45 CAT6 UTP		6 547 10	6 547 11	6 547 12	6 547 13	6 547 10F	6 547 11F	6 547 12F	6 547 13F
		1 cable exit		6 547 14	6 547 15	6 547 16	-	6 547 14F	6 547 15F	6 547 16F	-

* Ring finishes (4 additional colours available on demand)

■ 2.2 British standard

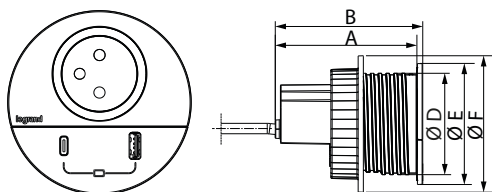
Incara™ Disq 80 equipped with			Standards	2 m cord with Intersoc R plug			2 m cord with plug BS1363			0,5 m cord with Wieland® plug GST18i3		
				White*	Black*	Metal*	White*	Black*	Metal*	White*	Black*	Metal*
1x 2P+E	1 USB A+C	-	British	-	-	-	6 550 48	6 550 49	6 550 50	6 550 51	6 550 52	6 550 53
		1 RJ45 CAT6 UTP		6 549 44	6 549 45	6 549 46	6 549 41	6 549 42	6 549 43	6 549 50	6 549 51	6 549 52
		1 cable exit		6 549 47	6 549 48	6 549 49	6 550 15	6 550 16	6 550 17	6 549 53	6 549 54	6 549 55

* Ring finishes (4 additional colours available on demand)

RJ45 = coupler (female/female)

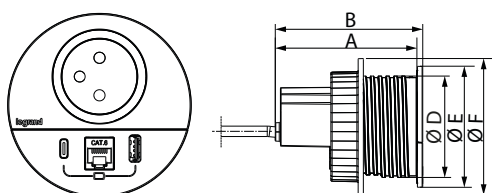
3. DIMENSIONS

■ **3.1 Incara™ Disq 80**



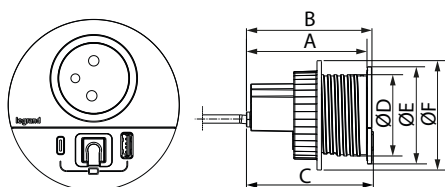
Cat. nos	A	B	-	D	E	F
6 550 40/41/42/40F/41F/42F 44/45/46/44F/45F/46F 48/49/50/51/52/53	109	113	-	78	93	105

■ **3.2 Incara™ Disq 80 with RJ 45**



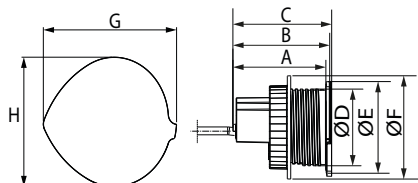
Cat. nos	A	B	-	D	E	F
6 547 01/02/03/01F/02F/03F 10/11/12/10F/11F/12F 6 549 41/42/43/44/45/46 50/51/52	109	113	-	78	93	105

■ **3.3 Incara™ Disq 80 with cable exit**



Cat. nos	A	B	C	D	E	F
6 547 05/07/08/05F/07F/08F 14/15/16/14F/15F/16F 6 549 47/48/49/53/54/55 6 550 15/16/17	109	113	115	78	93	105

■ **3.4 Incara™ Disq 80 with cover**

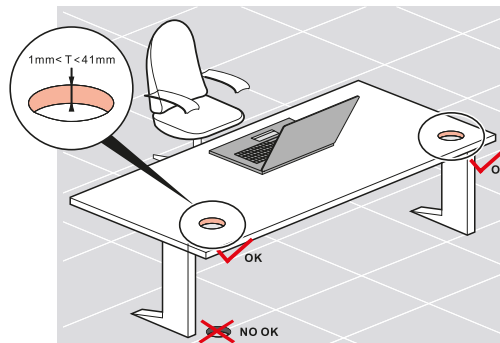


Cat. nos	A	B	C	D	E	F	G	H
6 547 04/04F/13/13F 6 550 43/43F/47/47F	109	113	116	78	93	105	114	96

4. INSTALLATION

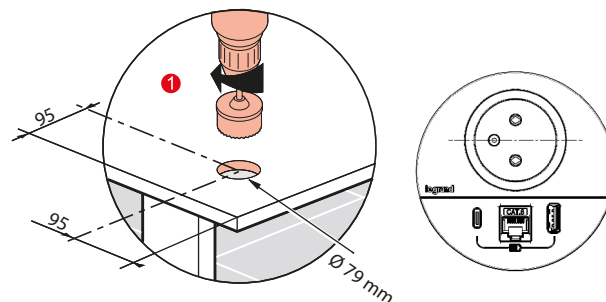
Must not be fitted on the floor.

■ **4.1 Into the desk**

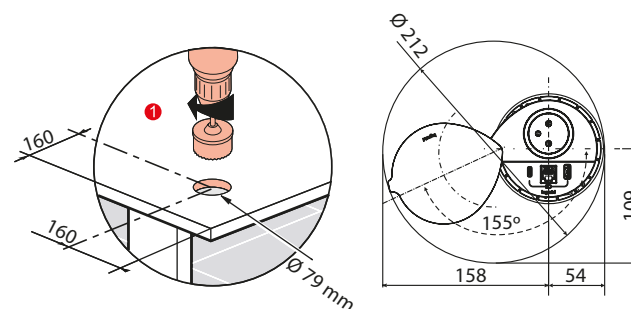


4.1.1 Drilling dimensions and positioning

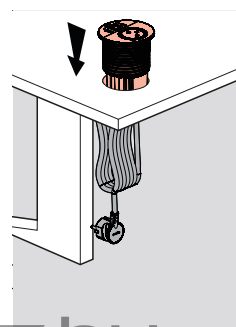
4.1.1.1 for cat. nos without cover



4.1.1.2 for cat. nos with cover



4.1.2 Insertion



5. TECHNICAL CHARACTERISTICS

5.1 Mechanical characteristics

Resistance to impact: IK 07

5.2 Material characteristics

Metal ring & cover: brushed aluminum + varnish

Black & white plastic ring & housing: Polycarbonate UL94V0

5.3 Electrical characteristics

5.3.1 2 P+E sockets characteristics

- Supply voltage: 250V~

- Frequency: 50/60 Hz

- Rated current:

. for French & Schuko standards = 16A

. for British standard : individually fused = 5A

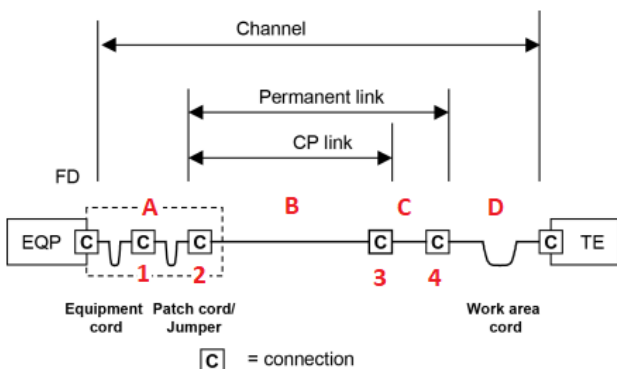
5.3.2 Coupler RJ45 characteristics

5.3.2.1 Performance of link

Standard performance at 20°C

Following chart indicates maximal distances according to several configurations

CP Cord (C)	Maximum CP link (B)	TR Cord(s) (A)	Work Area Cord (D)	Total Channel
8 m	74 m	5 m	5 m	92 m
15 m	63 m			88 m
20 m	56 m			86 m



1 - Optional replication panel used only in specific 4-connector channels

2 - Panel

3 - Outlet (considered as a consolidation point)

4 - Incara Product (considered as an outlet in a 3-connector permanent link)

5.3.2.2 POE Compliances

PoE++ type 1, 2, 3 and 4 according to 802.3 standard.

For more informations about performance with POE please refer to Legrand documentation (Legrand POE Guide).

5. TECHNICAL CHARACTERISTICS (cont.)

5.3.3 USB charger characteristics (LXX17)

Trade mark	
Address	128, av. du Maréchal-de-Lattre-de-Tassigny - 87045 LIMOGES Cedex Tel. : 0 (+33) 5 55 06 87 87 Fax : 0 (+33) 5 55 06 88 88 www.legrand.com
Input voltage	100-240V
Input AC frequency	50-60Hz
Output voltage	5,0V
Output current	3,0A
Output power	15,0W
Average active efficiency	82,0%
Efficiency at low load (10%)	80,0%
No-load power consumption	0,06W

5.3.4 Cords characteristics

H05VV-F 3G 1.5mm²

5.4 Climate characteristics

Operating temperature: from -5°C to +35°C

Storage temperature: from -10°C to +70°C

6. CLEANING

Superficial cleaning with a soft cloth. Do not use abrasive products or detergents

Caution: Always test before using other special cleaning products

7. STANDARDS & APPROVALS

Compliant to:

Standards			
French	Schuko	British	
		socket	complete product
NF C61-314 and IEC 60884-1	IEC 60884-1	BS 1363-2	BS 5733

USB charger compliant to IEC 62368-1

Products should be installed by competent persons to the current version of the local wiring regulations.

Please consult Legrand locally for further details.

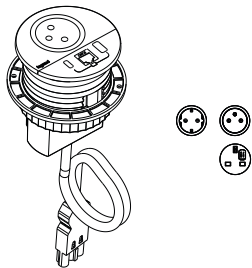
8. ACCESSORIES

■ 8.1 Extension cords cat. nos 6 549 86/87/88/89

Cat. nos	Wieland GST18i3 cord		Cord characteristics
6 549 86	2 P+E plug	2 m	H05VV-F 3G1.5mm ²
6 549 87		3 m	
6 549 88	BS plug	2 m	
6 549 89		3 m	

■ 8.2 Protective case for Wieland® GST18i3 connector cat. no 6 547 99

for cat. nos 6 547 01F/02F/03F/04F/05F/07F/08F/10F/11F/12F/13F/14F/15F/16F - 6 549 44/45/46/47/48/49/50/51/52/53/54/55 - 6 550 40F/41F/42F/43F/44F/45F/46F/47F/51/52/53



Protective case allowing compliance with NFC 61-314 standard, which requires an housing covering the installation couplers. Access for connection or disconnection of these couplers must be possible only using a tool (e.g. screwdriver)

