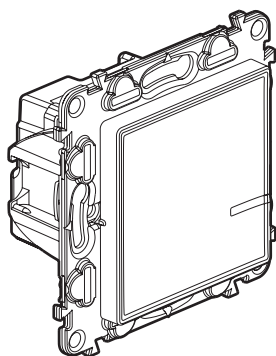
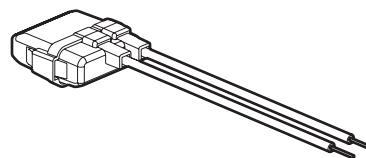


## Valena™ Life Connected switch 125 W LED without neutral with dimmer option

Cat. Nos: 7 521 84A - 7 522 84A - 7 523 84A - 7 563 84A



7 521 84A



0 401 49

### 1. USE

Connected switch without neutral 125 W LED with dimmer option, configured by default as ON/OFF (dimmer mode can be activated from the Home + Control app).

Can be combined with one or more wireless lighting.

For local or remote control of your lighting.

Supplied with an active power compensator (Cat. No. 0 401 49), mandatory to ensure optimum operation with commercially-available lamps. One compensator per lighting circuit is sufficient.

Easy to install in place of a standard switch in a box 40 mm deep (minimum).

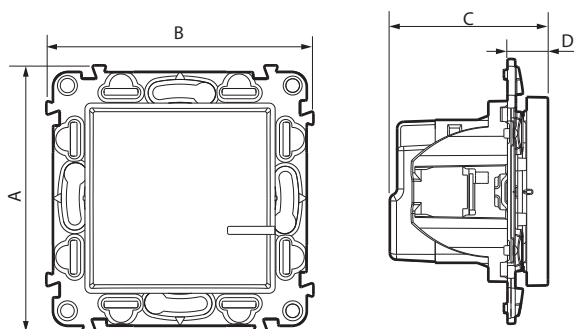
Screw and/or claw fixing.

### 2. RANGE

Product for use in conjunction with the starter pack "with Netatmo".  
With LED indicator (configuration) and RESET button (hidden) used to return to factory settings.

White	Ivory	Aluminium	Black
7 521 84A	7 522 84A	7 523 84A	7 563 84A

### 3. DIMENSIONS (mm)



A	B	C	D
75	75	45	11.5

### 4. CONNECTION

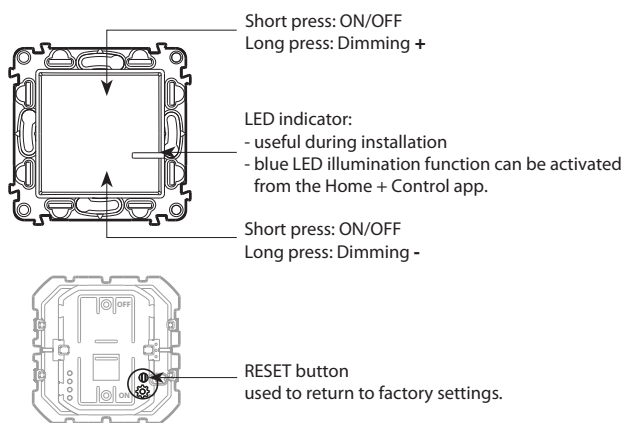
Terminal type: with screws

Terminal capacity: 2 x 1.5 mm<sup>2</sup> or 2 x 2.5 mm<sup>2</sup>

Stripping length: 8 mm

Flat screwdriver: 3 mm

### 5. OPERATION



### 6. TECHNICAL CHARACTERISTICS

#### 6.1 Mechanical characteristics

Protection against impacts: IK 04

Protection against solid bodies/liquids: IP 20

#### 6.2 Material characteristics

Support: PC grey RAL 7016 + metal

Mechanism casing: PC

Rocker plate: ABS

Colours: White RAL 9003

Ivory RAL 1013

Halogen-free

UV-resistant

Self-extinguishing:

850°C/30 s for insulating components holding live parts in place.

650°C/30 s for other insulating components.

#### 6.3 Electrical characteristics

Voltage: 110-240 V~

Power: 125 W

Frequency: 50/60 Hz

Standby consumption: 2.2 mA

**Zigbee technology** 2.4 GHz to 2.4835 GHz

Power level: < 100 mW

Range: 200 m of unobstructed space

10 m between products indoors

#### 6.4 Climate characteristics

Usage temperature: +5°C to +45°C

Storage temperature: 0°C to +45°C

## 7. CARE

Clean the surface with a cloth.  
Do not use acetone, tar-removing cleaning agents or trichloroethylene.

Resistant to the following products:  
Hexane, methylated spirit, soapy water, diluted ammonia, bleach diluted to 10%, window-cleaning products, pre-impregnated wipes.

**Caution:** Always test before using special cleaning products.

## 8. STANDARDS AND APPROVALS

Compliant with installation and manufacturing standards.  
See e-catalogue.

The undersigned, LEGRAND, declares that the radio-electric equipment type (7 521 84A - 7 522 84A - 7 523 84A) complies with directive 2014/53/EU. The full text of the EU declaration of conformity is available on the following website: [www.legrand.com/ecatalogue](http://www.legrand.com/ecatalogue)