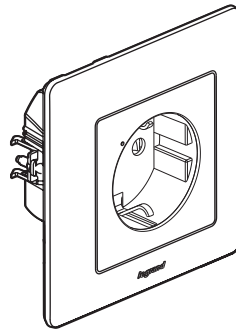


## Valena™ Life Connected 2P+E socket- German standard

Cat. Nos: 7 521 94 - 7 522 94 - 7 523 94



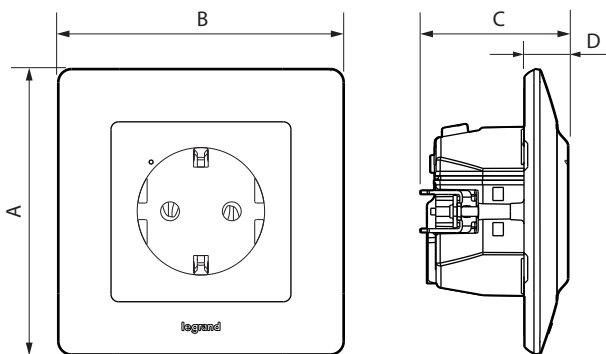
### 1. USE

Connected socket which can be controlled by a wireless lighting control and/or remotely via a smartphone, tablet or computer.  
 Can be used to measure instantaneous and total consumption of the connected device, which can be viewed on the Home + Control app.  
 Built-in protection against electrical overloads, for increased safety.  
 Installation in box 40 mm deep (minimum), instead of a standard socket outlet.  
 Claw and/or screw fixing.  
 One-piece mechanism (grid + mechanism).

### 2. GAMME

Description	White	Ivory	Aluminium
Connected 2 P+E socket, with safety shutters. With activity and identification LED indicator and RESET button (hidden) used to return to factory settings. Supplied complete with claws and site protection cover.	7 521 94	7 522 94	7 523 94

### 3. DIMENSIONS (mm)

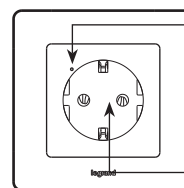


A	B	C	D
86	86	44.5	13

### 4. CONNECTION

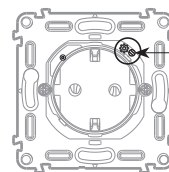
Terminal type: automatic  
 Terminal capacity: 2 x 2.5 mm<sup>2</sup>  
 Stripping length: 11 mm

### 5. OPERATION



LED indicator:  
 - useful during installation  
 - indicator function can be activated in the Home + Control app.

16 A connected socket outlet  
 Extra built-in protection in the event of overloads of more than 16 A.



RESET button  
 used to return to factory settings.

### 6. TECHNICAL CHARACTERISTICS

#### 6.1 Mechanical characteristics

Protection against impacts: IK 04  
 Protection against solid bodies and/or liquids:  
 IP 20 without plate and cover plate  
 IP 40 assembled product

#### 6.2 Material characteristics

Colour	White RAL 9003	Ivory RAL 1013	Aluminium
Plate	ABS	ABS	ABS
Cover plate	PC	PC	PC

Sub-plate: PC  
 Mechanism casing: PC  
 Support: PC grey RAL 7016 + metal

Halogen-free  
 UV resistant

#### Self-extinguishing:

850° C / 30 s for insulating parts holding live parts in place.  
 650° C / 30 s for the other insulating components.

## 6. TECHNICAL CHARACTERISTICS *(continued)*

### ■ 6.3 Electrical characteristics

Voltage: 110/230 V~

Current: 16 A

Power: 3680 W max.

Frequency: 50/60 Hz

Standby consumption: 0.1 mA

**Zigbee technology** 2.4 GHz to 2.4835 GHz

Power level: < 100 mW

Range: 200 m of unobstructed space between 2 wired products  
10 m between products indoors

### ■ 6.4 Climate characteristics

Storage temperature: 0° C to + 45° C

Usage temperature: + 5° C to + 45° C

## 7. CARE

Clean the surface with a cloth.

Do not use acetone, tar-removing cleaning agents or trichloroethylene.

Resistant to the following products: Hexane (EN 60669-1), methylated spirit, soapy water, diluted ammonia, bleach diluted to 10%, window-cleaning products, pre-impregnated wipes.

**Caution:** Always test before using special cleaning products.

The plates must not be painted.

## 8. STANDARDS AND APPROVALS

Compliant with installation and manufacturing standards.

See e-catalogue.

The undersigned, LEGRAND, declares that the radio-electric equipment type (7 521 94 - 7 522 94 - 7 523 94) complies with directive 2014/53/EU.

The full text of the EU declaration of conformity is available on the following website: [www.legrandoc.com](http://www.legrandoc.com)