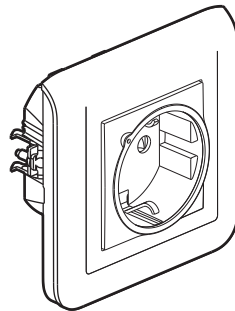


Connected 2 P+E socket - German standard



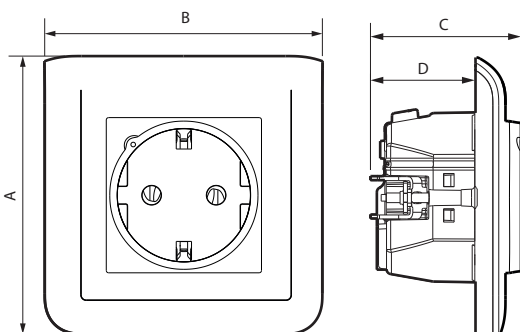
1. USE

Connected socket which can be controlled by a wireless lighting control and/or remotely via your smartphone, tablet or computer.  
Can be used to measure instantaneous and total consumption of the connected device, which can be viewed on the Home + Control app.  
Built-in protection against electrical overloads, for increased safety.  
Installation in box 40 mm deep (minimum), instead of a standard socket outlet.  
Claw and/or screw fixing.  
One-piece mechanism (grid + mechanism).

2. RANGE

Description	White
Connected 2P+E socket, with safety shutter. With activity and identification LED indicator and RESET button (hidden) used to return to factory settings. Supplied complete with claws and site protection covers.	0 777 13L

3. DIMENSIONS (mm)

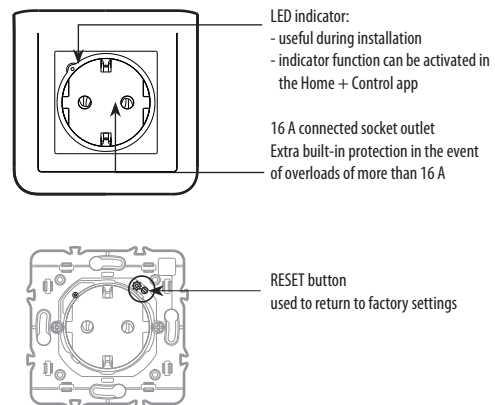


Cat. No.	A	B	C	D
0 777 13L	82	82	44.5	31.5

4. CONNECTION

Terminal type: automatic  
Terminal capacity: 2 x 2.5 mm<sup>2</sup>  
Stripping length: 11 mm

5. OPERATION



6. TECHNICAL CHARACTERISTICS

- 6.1 Mechanical characteristics  
Protection against impacts: IK 04  
Protection against solid bodies and/or liquids: IP 41
- 6.2 Material characteristics  
Plate: ABS + PC  
Rocker plate: PC  
Colour: White RAL 9003  
Subplate: Opalescent White  
Mechanism casing: PC  
Grid: 6.6 PC + Galfan steel  
Halogen-free  
UV resistant  
Self-extinguishing:  
850° C / 30 s for insulating parts holding live parts in place.  
650° C / 30 s for the other insulating components.

## 6. TECHNICAL CHARACTERISTICS *(continued)*

### ■ 6.3 Electrical characteristics

Voltage: 110/230 V~

Current: 16 A

Power: 3680 W max.

Frequency: 50/60 Hz

Standby consumption: 0.1 mA

**Zigbee technology** 2.4 GHz to 2.4835 GHz

Power level: < 100 mW

Range: 200 m of unobstructed space

10 m between products indoors

### ■ 6.4 Climate characteristics

Storage temperature: 0°C to +45°C

Usage temperature: +5°C to +45°C

## 7. CARE

Clean the surface with a cloth.

Do not use acetone, tar-removing cleaning agents or trichloroethylene.

Resistant to the following products: Hexane (EN 60669-1), methylated spirit, soapy water, diluted ammonia, bleach diluted to 10%, window-cleaning products, pre-impregnated wipes.

**Caution:** Always test before using special cleaning products.

The plates must not be painted.

## 8. ACCESSORIES

Replacement cover plate

## 9. STANDARDS AND APPROVALS

Compliant with installation and manufacturing standards.

See e-catalogue.

The undersigned, LEGRAND, declares that the radio-electric equipment type (0 777 13L) complies with directive 2014/53/EU.

The full text of the EU declaration of conformity is available on the following website: [www.legrandoc.com](http://www.legrandoc.com)