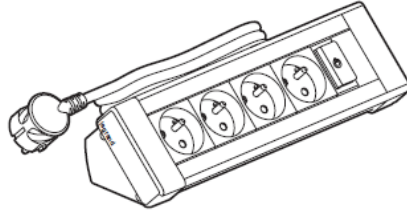
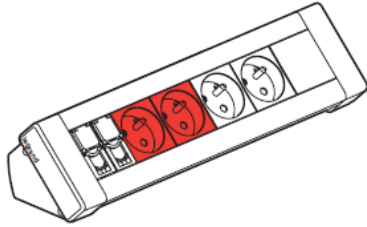


Desktop multi-outlets new design

Number(s) :

0 535 98- 0 546 00/01/15/16/20/21/25/26/27/28/29/31/33/35/36/37/38/
90/91/92/99 - 6 535 60 à 63



CONTENTS

PAGES

1 Range	1 to 2
2 On demand	3
3 Technical characteristics	3 to 5
4. Material characteristics	5

1. RANGE

Desktop multi-outlets :

- an ideal solution dedicated to nomadic people and/or satisfy a aesthetic needs.
- products answering all needs (pre-wired, to wire, empty or on demand)
- a specific accessory allowing to fix the product on the desk
- a reliable and secure installation with conformity to NFC 61-314
- index of protection: IK07
- Finishes available :
 - . natural anodized aluminium
 - . wiring devices and plastic parts colour white RAL 9003

Packaging : 1

1.1 Desktop multi-outlets

1.1.1 Empty to be equipped

Numbers	Dimensions LxHxh (mm)	Functions
0 546 90	240x90x80	
0 546 91	330x90x80	
0 546 92	420x90x80	

1. RANGE (continued)

1.1.2 Prewired

Supplied without cord

Connection on terminal blocks with cable grip

Numbers	Dimensions LxHxh (mm)	Functions
0 546 00	280x90x80	
0 546 01	370x90x80	
0 546 15	280x90x80	
0546 16	330x90x80	
0546 20	330x90x80	
0546 21	460x90x80	

Desktop multi-outlets new design

Number(s) : 0 535 98- 0 546
00/01/15/16/20/21/25/26/27/28/29/31/33/35/36/37/38/
90/91/92/99 - 6 535 60 à 63

1. RANGE (continued)

1.1.3 With cords

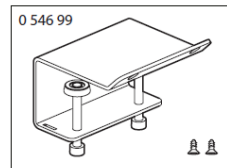
Supplied with cord
Connection on terminal blocks with cable grip

Numbers	Dimensions LxIxH (mm)	Functions
French std 0 546 25	280x90x80	
German std 6 535 60		
French std 0 546 26	370x90x80	
German std 6 535 61		
German std 6 535 63	330x90x80	
French std 0 546 27	280x90x80	
French std 0 546 28	370x90x80	
French std 0 546 29	370x90x80	
French std 0546 35	280x90x80	
German std 6 535 62		
French std 0546 36	330x90x80	
French std 0546 33	330x90x80	
French std 0 546 31	280x90x80	
French std 0 546 37	370x90x80	
French std 0 546 38	326x137x102	

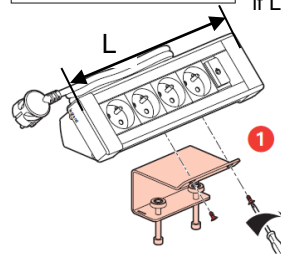
1. RANGE (continued)

1.2 Accessories

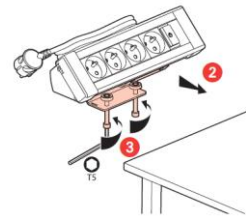
1.2.1 Fixing accessory Number 0 546 99



if L > to 400 mm use 2 x 0546 99



Allow fixing on a desk from 6 to 40 mm of depth



The product includes adhesive protections for desk office surfaces.

Material characteristics of 0 546 99 :

- Steel (painted grey)
- Polyamide
- Elastomer

Packaging : 1

1.2.2 Cable worm number 0 535 98



Very suitable solution for a safe and aesthetic protection of the cabling between desk and floor.

Packaging : 1

Length : 0.75m

Cabling capacity :

- minimum dimension of cable : 2x0,5 mm² (5mm diameter) 20 each side
- maximum dimension of cable: 5x2,5 mm² (14mm diameter) 3 each side

Material Characteristics of Nr. 0 535 98

Ring white colour : ABS + thermoplastic polyurethane (for the membrane)

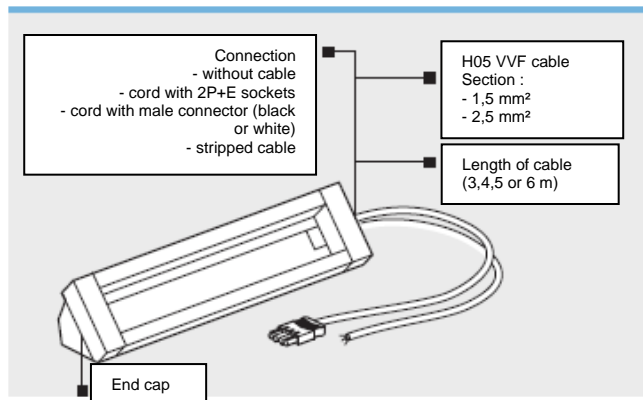
- Fixation accessory: ABS
- Base : plastic part = EPDM
Metal plate = FE

Desktop multi-outlets new design

Number(s) : 0 535 98- 0 546
 00/01/15/16/20/21/25/26/27/28/29/31/33/35/36/37/38/
 90/91/92/99 - 6 535 60 à 63

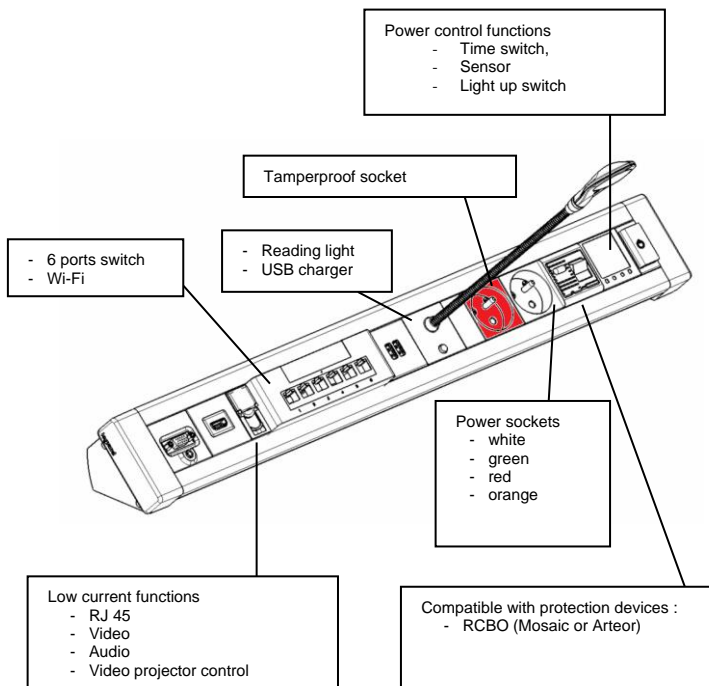
2. ON DEMAND

Selection of desktop multi-outlet new design



The length of the unit varies depending on the quantity of functions needed.

Selection of functions

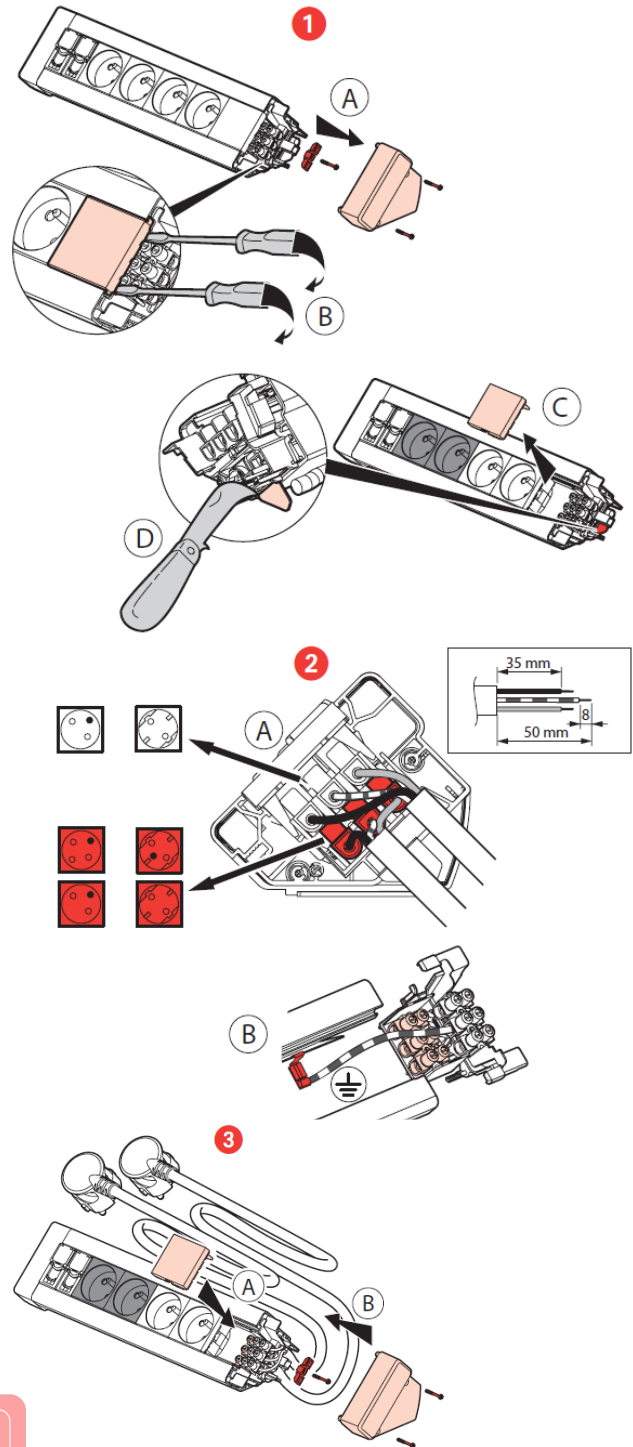
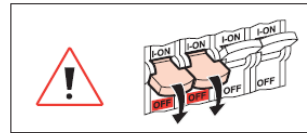


3. TECHNICAL CHARACTERISTICS (continued)

3.1 Connection

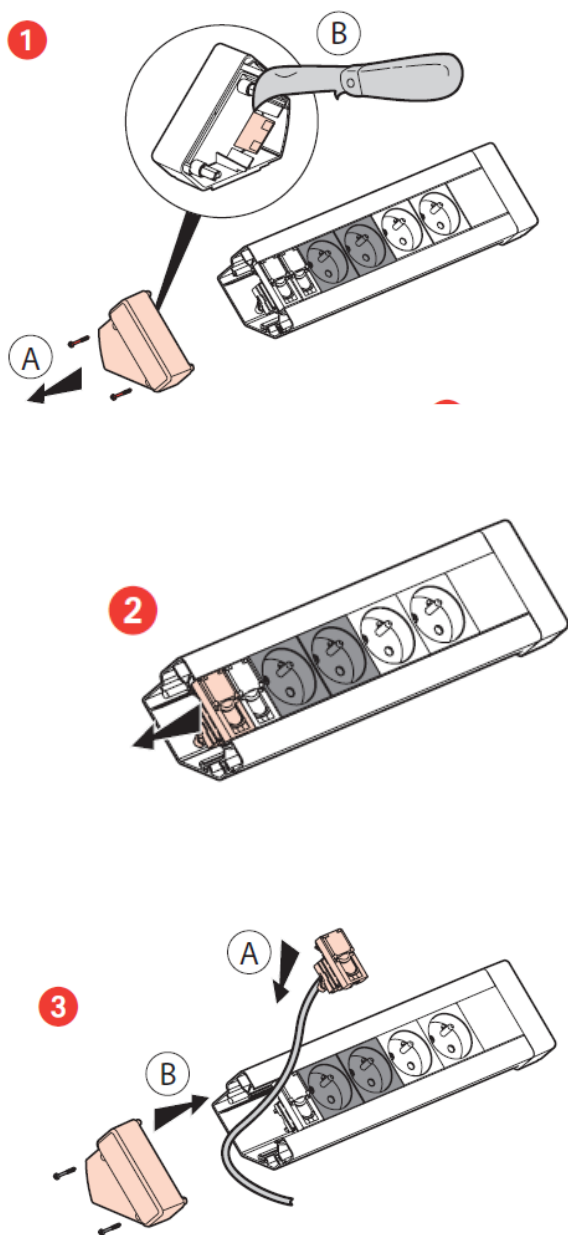
Use 3G1,5 mm² or 3G2,5 mm²

3.1.1 With 2 power circuits and RJ45 plugs



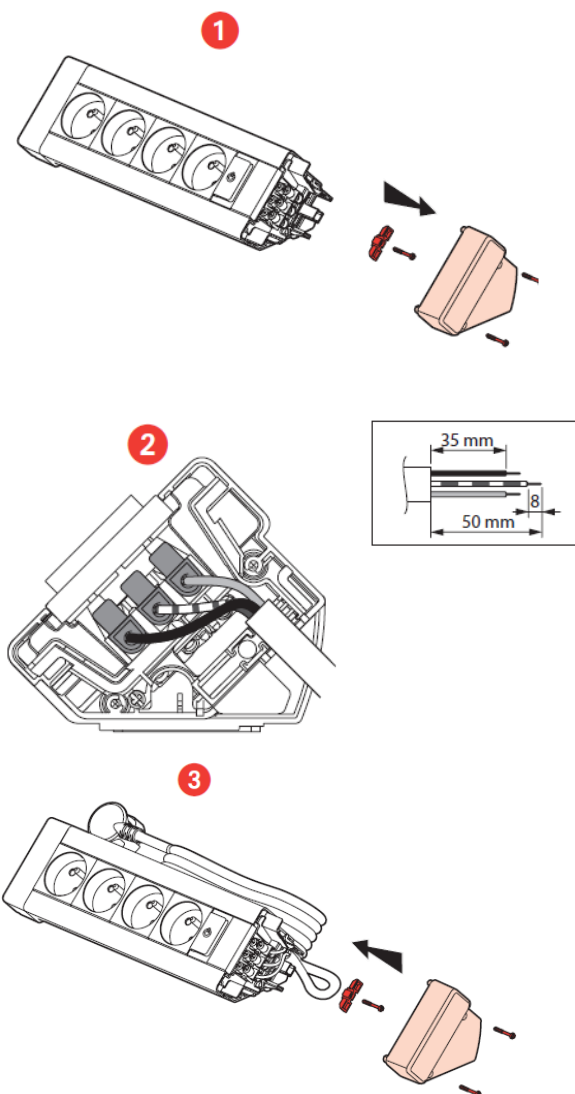
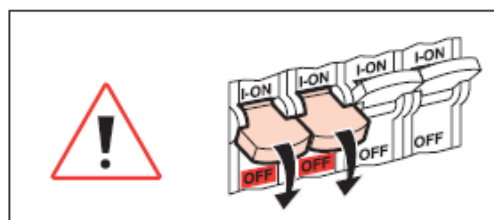
3. TECHNICAL CHARACTERISTICS (continued)

3.1.2 Connection of data sockets through the end cap



3. TECHNICAL CHARACTERISTICS (continued)

3.1.3 With 1 power circuit



3. TECHNICAL CHARACTERISTICS (continued)

Maximum power : 16A 3680W in 230V

Performance and electrical characteristics of the USB charger :
please refer to the data sheet of the USB charger ref. LG-077594

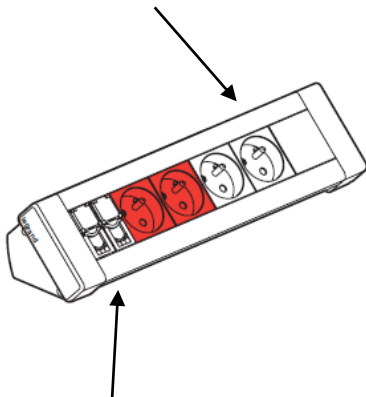
If delivered with cord :

Cable type : 3 meters HO5 VVF 3G 1.5 mm²

Plug type : 2P+T side outlet plug

Other plugs available on demand

Power on the right side (2 cables entries)



Data on the left side

If not delivered with cord :

Possibility to connect with :

HO5 VVF 3G 1.5 mm² or 3G 2.5 mm² (2 entries max)

4. MATERIAL CHARACTERISTICS

Standard product or on demand, natural anodized aluminium

End caps : white ABS

Cable grip : ABS

Terminal blocks : Polypropylene

Light switch : white PC