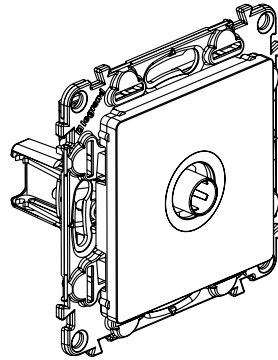


Valena Life™ - Valena™ INMATIC
TV terminal and connecting sockets

Cat. Nos: 7 530 60/61-7 531 60/61
7 532 60/61-7 533 60/61
7 547 60/61/62



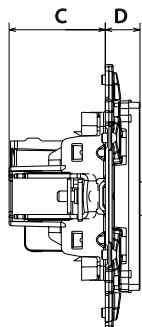
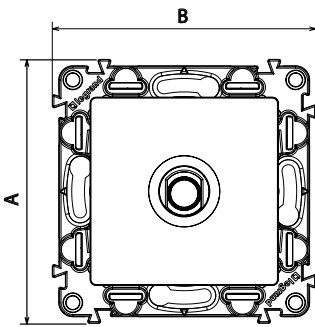
1. USE

Male TV terminal and connecting sockets.
 5-862 MHz.

2. RANGE

Description	Mechanism + cover plate			Mechanism only	Cover plate only		
	White	Ivory	Aluminium		White	Ivory	Aluminium
10 dB male TV terminal socket	7 531 60	7 532 60	7 533 60	7 530 60	7 547 60	7 547 61	7 547 62
14 dB male TV connecting socket	7 531 61	7 532 61	7 533 61	7 530 61			

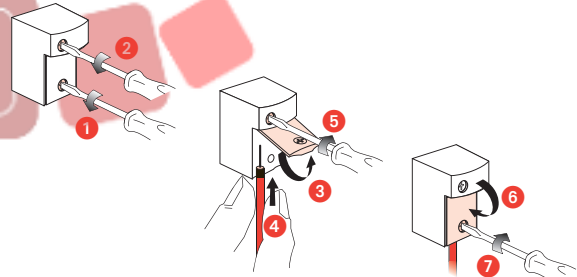
3. DIMENSIONS



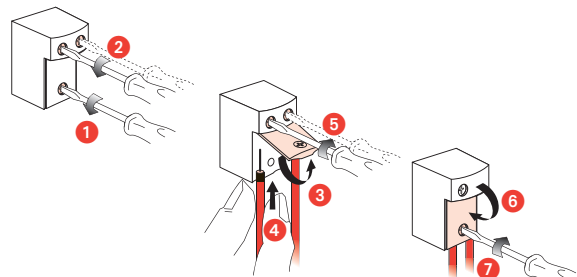
Cat. Nos.	A	B	C	D
7 531 60 - 7 531 61	74.6	74.6	27.2	9.8
7 532 60 - 7 532 61				
7 533 60 - 7 533 61				

4. CONNECTION

Cat. Nos. 7 531 60 - 7 532 60 - 7 533 60

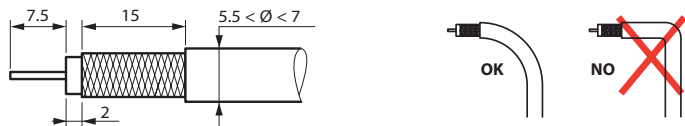


Cat. Nos. 7 531 61 - 7 532 61 - 7 533 61



5. WIRING PRECAUTIONS

Stripping length



To prevent loss of impedance and a subsequent deterioration in performance caused by deformation of the coaxial cable, use the largest possible bending radius.

A signal booster must be used with connecting and terminal sockets to compensate for the losses generated by this technique.

8. CARE

Clean the surface with a cloth.

Do not use acetone, tar-removing cleaning agents or trichloroethylene.

Resistant to the following products: Hexane (EN 60669-1), methylated spirit, soapy water, diluted ammonia, bleach diluted to 10%, window-cleaning products, pre-impregnated wipes.

Caution: Always test before using special cleaning products.

6. TECHNICAL CHARACTERISTICS

6.1 Mechanical characteristics

Protection against solid bodies and liquids: IP 21

Protection against impacts: IK 04

6.2 Material characteristics

Casing: Poly gloss appearance

Colour: - White RAL 903

- Ivory RAL 113

- Aluminium

Material: - Plate: ABS

- Cover plate: Polycarbonate

- Zero halogen

- UV resistant

Motor: Zamac support/Zamac steel socket/steel plugs

6.3 Electrical characteristics

- Male TV connector \varnothing 9.52 mm conforming to IEC 61169-2

- Frequency bands: TV: 5 - 68/120 - 862 MHz

- Characteristic impedance: 75 Ohm

- Shielding attenuation: UHF > 65 dB

VHF > 75 dB

(Class A)

- Max. \varnothing of incoming cable at entry: 7 mm

6.4 Climate characteristics

Storage and operating temperature: -5°C to +35°C

7. PERFORMANCE

	Coax	Attenuation	Channel 1	FM channel	VHF channel	UHF channel
	Z = 75 Ω					
			4 - 68	87.5 - 108	120 - 470	470 - 862
		dB	MHz	MHz	MHz	MHz
7 531 60 7 532 60 7 533 60	TV	< dB i = 10 dB				
7 531 61 7 532 61 7 533 61		< dB i = 14 dB				