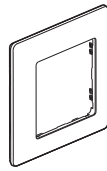
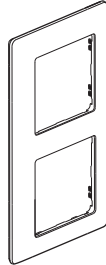


Valena Life™
Finish plates Aluminium

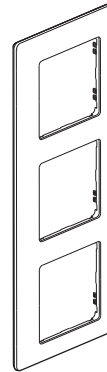
Cat. No(s): 7 541 31/32/33/34/35/36 - 7 542 31/32/33
7 523 45/46



7 541 31



7 541 32




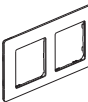
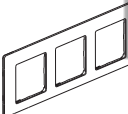
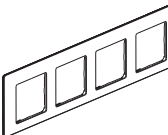
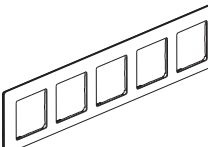
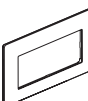
7 541 33

1. USE

Frame plates for fitting on Valena mechanisms.

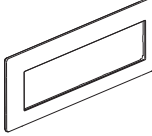
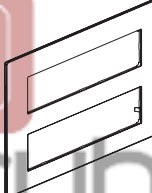
2. RANGE

PLATES SUPPLIED WITH SMOKE UNDER-PLATES


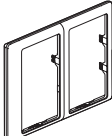
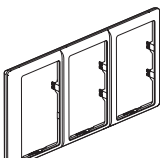
	1-gang	7 541 31
	2-gang	7 541 32
	3-gang	7 541 33
	4-gang	7 541 34
	5-gang	7 541 35
	Expanded plate 5-gang	7 541 36

2. RANGE (continued)

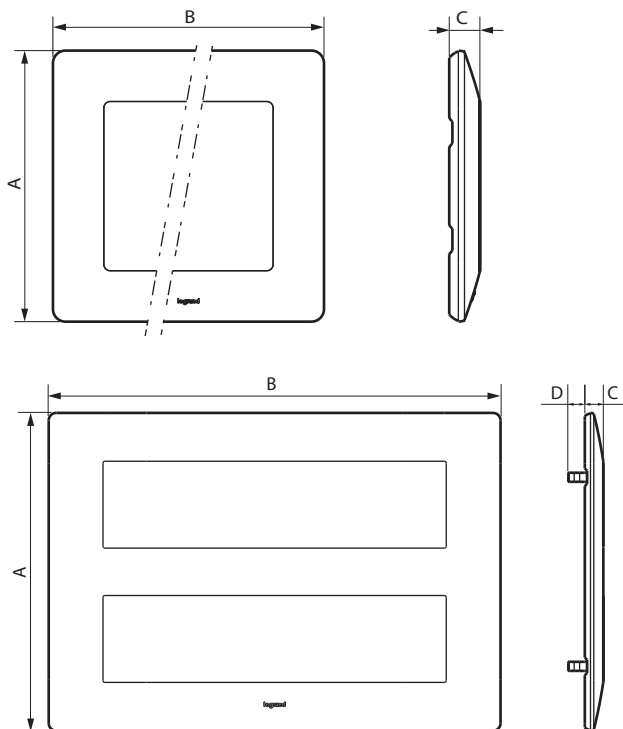
PLATES SUPPLIED WITH SUPPORT-FRAME

	Plate 4 x 2 modules	7 523 45
	Plate 2 x 4 x 2 modules	7 523 46

**SPECIFIC PLATES FOR DOUBLE SOCKET OUTLETS (2 x 2P+E)
 SUPPLIED WITH SMOKE UNDER PLATES**

	Plate 1-gang for double socket outlet	7 542 41
	Plate 1-gang for double socket outlet	7 542 42
	Plate 1-gang for double socket outlet	7 542 43

3. OVERALL DIMENSIONS (mm)



Cat. No 7 523 46

Catalogue Numbers	A	B	C	D
7 541 31	86	86	9.8	-
7 541 32	86	157	9.8	-
7 541 33	86	288	9.8	-
7 541 34	86	299	9.8	-
7 541 35	86	370	9.8	-
7 541 36	86	154	9.6	-
7 523 45	86	225	9.8	-
7 523 46	168	239	9.8	8.7
7 542 41	114	86	14	-
7 542 42	114	157	14	-
7 542 43	114	228	14	-

4. MOUNTING

The plates are clipped via notches to supports (the notches are used to compensate for the thickness. Example: wall carpet). Easy to remove with a screwdriver using the slots on the side of the plate.

5. TECHNICAL DATA

■ 5.1 Mechanical characteristics

Impact tests: IK 04

■ 5.2 Material characteristics

Decor plates: ABS
Decor plates Cat. No 7 523 45/46: PC
Under-plates: PC
UV resistant
Halogen free
Self-extinguishing: 650° C / 30 s

■ 5.3 Climatical characteristics

Storage temperature: - 10° C to + 70° C
Use temperature: - 5° C to + 50° C

6. CLEANING

Surface cleaning with a cloth.
Do not use: acetone, tar remover, trichloroethylene.
Dish-washer proof.

■ 6.1 Resistance to the following cleaning substances

- Hexane (EN 60669-1),
- Methylated spirit,
- Soapy water,
- Diluted ammonia,
- Diluted pure bleach 10%,
- Glass cleaning product,
- Pre-impregnated wipes.

■ 6.2 Resistance to the following hospital-type cleaning substances

- Anios,
- Surfanios,
- Bactylisine,
- Hydrogen peroxide (oxygenated water 35%).

Caution: A spot test should be carried out before using any other specific cleaners.

7. SPECIAL USE

The plates must not be painted.