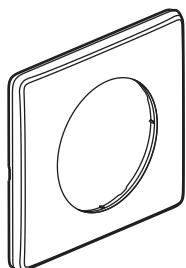


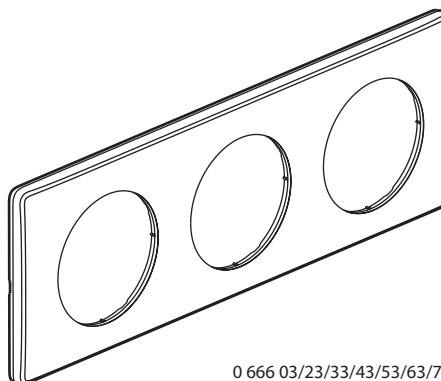
Céliane™

Finishing plates Memories

Cat. No(s): 0 666 01/02/03/04/21/22/23/24/30/31/32/33/34/35/36
 0 666 40/41/42/43/44/48/51/52/53/54/58/61/62/63/64/68/71/72/73/74/78
 0 686 06/08/09/30/37 - 0 688 08/09



0 666 01/21/31/40/41/51/61/71



0 666 03/23/33/43/53/63/73

1. USE

Faceplates for 1-gang to 6-gang wiring accessories.
 Horizontal or vertical mounting.

2. RANGE

Plates 1 gang

	<input type="checkbox"/> Gris Perle <input type="checkbox"/> Ivoire <input type="checkbox"/> Yesterday <input type="checkbox"/> Lumen <input type="checkbox"/> 50's <input type="checkbox"/> 70's <input type="checkbox"/> 90's <input type="checkbox"/> Today	0 666 01 0 666 21 0 666 31 0 666 40 0 666 41 0 666 51 0 666 61 0 666 71
--	---	--

Plates 2 gang - 71 mm spacing

	<input type="checkbox"/> Gris Perle <input type="checkbox"/> Ivoire <input type="checkbox"/> Yesterday <input type="checkbox"/> 50's <input type="checkbox"/> 70's <input type="checkbox"/> 90's <input type="checkbox"/> Today	0 666 02 0 666 22 0 666 32 0 666 42 0 666 52 0 666 62 0 666 72
--	---	--

Plates 2 gang - 57 mm spacing

	<input type="checkbox"/> Yesterday <input type="checkbox"/> 50's <input type="checkbox"/> 70's <input type="checkbox"/> 90's <input type="checkbox"/> Today	0 688 08 0 666 48 0 666 58 0 666 68 0 666 78
--	---	--

Extended plates 2 gang (4/5 modules)

	<input type="checkbox"/> Yesterday	0 666 35
--	------------------------------------	----------

Plates 3 gang - 71 mm spacing

	<input type="checkbox"/> Gris Perle <input type="checkbox"/> Ivoire <input type="checkbox"/> Yesterday <input type="checkbox"/> 50's <input type="checkbox"/> 70's <input type="checkbox"/> 90's <input type="checkbox"/> Today	0 666 03 0 666 23 0 666 33 0 666 43 0 666 53 0 666 63 0 666 73
--	---	--

2. RANGE (continued)

Plates 3 gang - 57 mm spacing

	<input type="checkbox"/> Yesterday	0 688 09
--	------------------------------------	----------

Extended plates 3 gang (6/8 modules)

	<input type="checkbox"/> Yesterday	0 666 36
--	------------------------------------	----------

Plate 4 gang - 71 mm spacing

	<input type="checkbox"/> Gris Perle <input type="checkbox"/> Ivoire <input type="checkbox"/> Yesterday <input type="checkbox"/> 50's <input type="checkbox"/> 70's <input type="checkbox"/> 90's <input type="checkbox"/> Today	0 666 04 0 666 24 0 666 34 0 666 44 0 666 54 0 666 64 0 666 74
--	---	--

Plate 5 gang - 71 mm spacing

	<input type="checkbox"/> Yesterday	0 666 30
--	------------------------------------	----------

Plate 1 module

	<input type="checkbox"/> Yesterday	0 686 30
--	------------------------------------	----------

Large format plate

	<input type="checkbox"/> Yesterday	0 686 37
--	------------------------------------	----------

2. RANGE (continued)

Plate for screen 3.5"


	<input checked="" type="checkbox"/> Yesterday	0 686 06
---	---	----------

Plate 2 x 2 gang

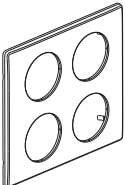
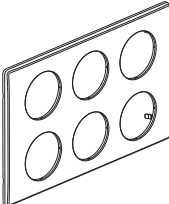
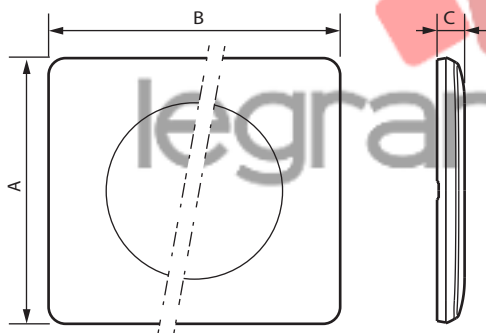
	<input checked="" type="checkbox"/> Yesterday	0 686 08
---	---	----------

Plate 2 x 3 gang

	<input checked="" type="checkbox"/> Yesterday	0 686 09
---	---	----------

3. DIMENSIONS (mm)



References	A	B	C
0 666 01/21/31/40/41/51/61/71	82	90	8.5
0 666 02/22/32/35/42/52/62/72	82	161	8.5
0 666 03/23/33/36/43/53/63/73	82	232	8.5
0 666 04/24/34/44/54/64/74	82	303	8.5
0 666 30	82	374	8.5
0 666 48/58/68/78 - 0 688 08	82	147	8.5
0 688 09	82	204	8.5
0 686 30	82	41	8.5
0 686 08/37	159	175	8.5
0 686 09	159	246	8.5
0 686 06	138	120	8.5

4. TECHNICAL CHARACTERISTICS

■ 4.1 Material characteristics

Poly gloss appearance

Material: - ABS + PC

- Halogen free

- UV resistant

Yesterday color: White RAL 9003

+ 650°C/30 s for other parts made of insulating materials.

■ 4.2 Climatic characteristics

Storage temperature: - 10° C to + 70° C

Use temperature: - 5° C to + 50° C

5. CLEANING

Clean the surface with a cloth.

Do not use acetone, tar-removing cleaning agents or trichloroethylene.

Resistance to the following products: Hexane (EN 60669-1), Methylated spirits, Soapy water, Diluted ammonia, Diluted pure bleach 10%, Glass cleaning product, Pre-impregnated wipes.

Caution: A preliminary test should be carried out if other specific cleaning products are to be used.

6. SPECIAL USE

The plates must not be painted.