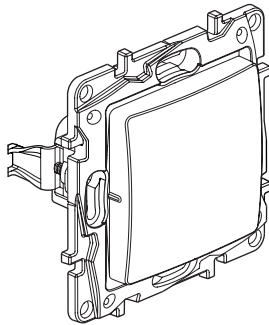
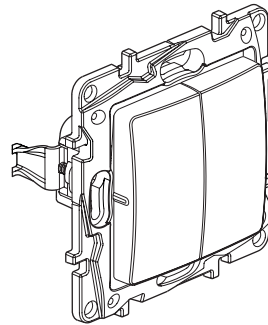


**Niloé™**  
**Controls**

**Cat. No(s): 6 645 00/06/07/20/22/23**  
**6 646 00/06/07/20/22/23**



6 64500 - 6 646 00



6 645 06 - 6 646 06

**1. USE**

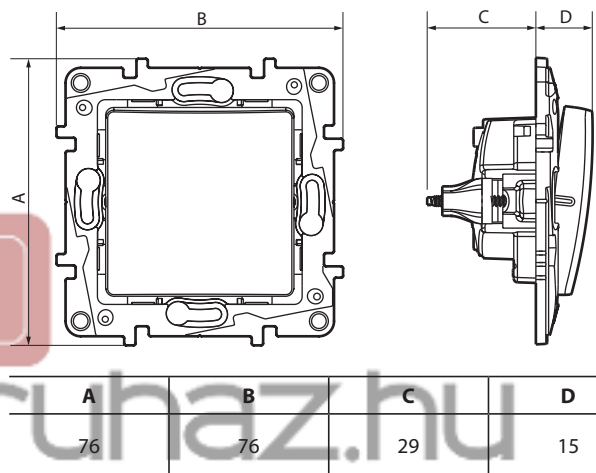
Single and double switches, Two-way switch with or without indicator light.  
 The mechanisms are supplied with rocker plates and support frames.  
 To be fitted with one-gang or multi-gang plates.  
 Flush or surface-mounting.  
 Fixing with claws or with screws.

**2. RANGE**

**10 AX SWITCHES AND TWO-WAY SWITCHES - 250 V~ - with claws**

	Description	White	Ivory
	Switch 2 terminals Simple function switch.	6 645 00	6 646 00
	Double switch 2 x 2 terminals Simple function switch.	6 645 06	6 646 06
	Two-way switch	6 645 20	6 646 20
	Rocker for light functions. Push-button, switch, two-way switch. Supplied with LED 230 V - 0.15 mA	6 645 23	6 646 23
<b>PUSH-BUTTONS 6 A - 250 V~ - with claws</b>		<b>White</b>	<b>Ivory</b>
	Switch	6 645 07	6 646 07
	Illuminated switch NO-NC contact Supplied with LED 230 V - 0.15 mA	6 645 22	6 646 22

**3. OVERALL DIMENSIONS (mm)**



**4. CONNECTION**

Screw terminal  
 Terminal capacity: 2 x 2.5 mm<sup>2</sup>  
 Tightening torque: 0.8 Nm  
 Stripping length: 10 mm  
 Screwdriver: Posidrive 2, Philips 2, flat 4 mm.

**5. TECHNICAL CHARACTERISTICS**

■ **5.1 Index of protection**  
 Protection against solid bodies and liquids: IP20  
 Impact test: IK 04

■ **5.2 Material characteristics**  
 Polygloss appearance  
 Material: - Mechanism housing: PC  
 - Rocker plate: ABS  
 - UV resistant  
 - Halogen free

Material of the support frame: - PC  
 - Colour: grey RAL 737

## 5. TECHNICAL CHARACTERISTICS *(continued)*

Self-extinguishing:

- + 850°C/30 s for insulating parts holding live parts in place.
- + 650°C/30 s for other parts made of insulating materials

### ■ 5.3 Electrical characteristics

Voltage: 250 VAC

Current: 10 AX

6 A (push-buttons)

### ■ 5.4 Climatic characteristics

Storage and usage temperature: - 5°C to + 35°C

## 6. MAINTENANCE

Clean the surface with a cloth.

Do not use: acetone, tar-removing cleaning agents or trichloroethylene.

Maintenance with the following products: Hexane (EN 60669-1), Methylated spirit, Soapy water, Diluted ammonia, Bleach diluted to 10%, Window-cleaning products.

**Caution:** A preliminary test should be carried out if other specific cleaning products are to be used.

## 7. STANDARDS AND APPROVALS

Compliant with installation and manufacturing standards.

