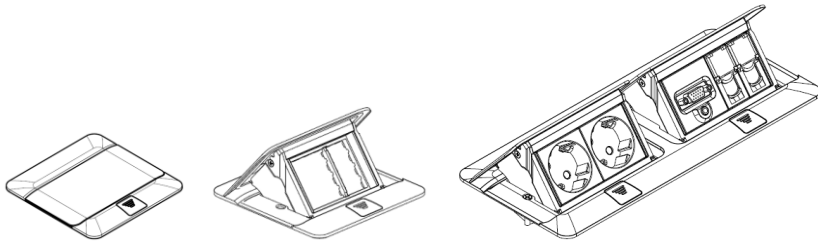


## Pop-Up Floor

Number(s) : 0 540 00 à 03 – 0 540 05 à 08 – 0 540 10 à 13 – 0 540 15 à 18 – 0 540 20 à 23



CONTENTS	PAGES
1. Range	1 to 2
2. Installation	3 to 5
3. Equipement	6 to 8
4. Technical characteristics	8 to 11
5. Example to Use	12

### 1. RANGE

- a solution for integration of wiring accessories in raised or concrete floor (3 finishes)
- conform to NFC 61-314 / EN 60 670-1 / EN 60 670-23

<p>Raised floor</p>		<p>For safety reasons, the use of the installation kit is compulsory in raised floor</p>	<p>Functions</p> <ul style="list-style-type: none"> <li>- Power</li> <li>- Data Cat6</li> <li>- AV</li> </ul>
<p>Concrete floor</p>		<p>Use the back box for concrete floor</p>	<p>Functions</p> <ul style="list-style-type: none"> <li>- Power</li> </ul>

2 types of Pop-up :

single		Double	
3 modules	4 modules	6 modules	8 modules



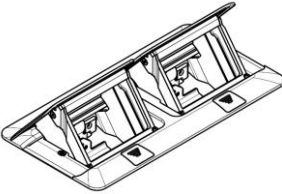
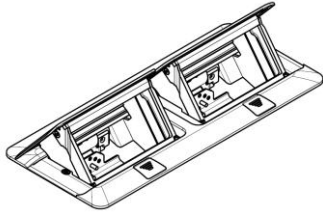
Pack by 1

Note : screws delivered with Pop Up

16A 250 V~, 3680W en 230 V~per circuit

## 1. RANGE (continued)

Pop-up selection chart :

Finishes	3 modules 	4 modules 	6 (2x3) modules 	8 (2x4) modules 
Brushed Brass	0 540 15	0 540 16	0 540 17	0 540 18
Matt Aluminium	0 540 10	0 540 11	0 540 12	0 540 13
Brushed Stainless steel	0 540 20	0 540 21	0 540 22	0 540 23

To be equipped with :

- with Mosaic or Arteor wiring devices
- with 1 installation kit for raised floor or with 1 backbox for concrete floor





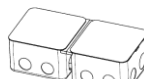
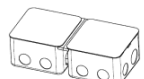
## 2. INSTALLATION

### 2.1 On concrete floor

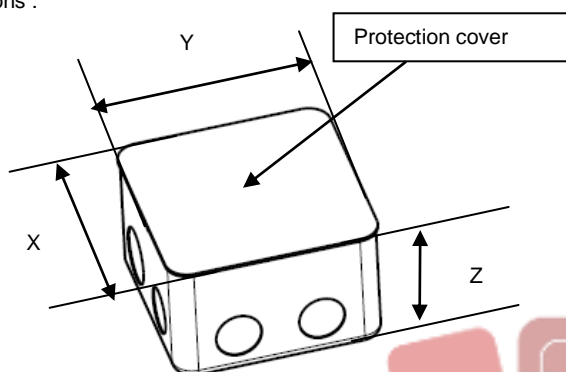
Back box for concrete delivered with protection cover

- minimum screed depth = 60mm

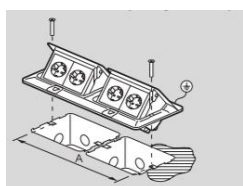
To be used with conduits diameter 20mm

Pop-up 3mod	Pop-up 4mod	Pop-up 6 (2x3) mod	Pop-up 8 (2x4) mod
			
réf 0 540 00	réf 0 540 01	réf 0 540 02	réf 0 540 03

Dimensions :



	X(mm)	Y(mm)	Z(mm)
3 mod	100	100	61.2
4 mod	100	122	61.2
6 (2x3) mod	100	210	61.2
8 (2x4) mod	100	255	61.2

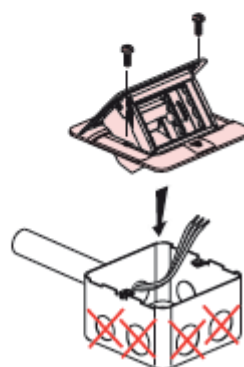
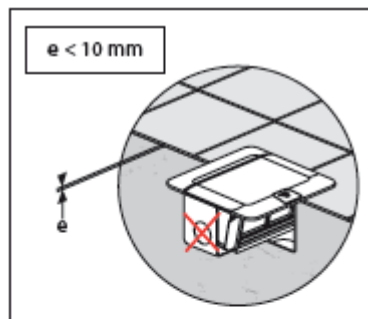


	A(mm)
3 modules	84
4 modules	106.5
6 modules	194
8 modules	239

## 2. INSTALLATION (continued)

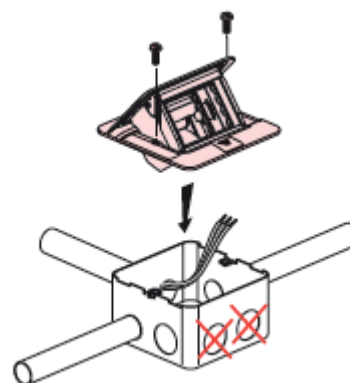
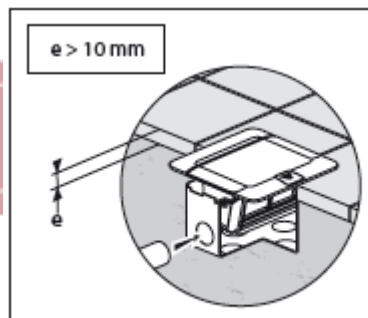
Note: IMPORTANT!

If  $e < 10\text{mm}$ , conduits diameter 20mm must enter the back box by the back side, for all boxes 3, 4, 6 and 8 modules



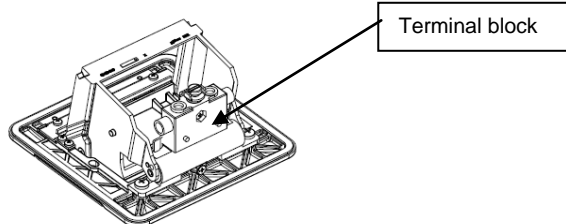
Note: IMPORTANT!

If  $e > 10\text{mm}$ , conduits diameter 20mm must enter the back box by the front side, for all boxes 3, 4, 6 and 8 modules

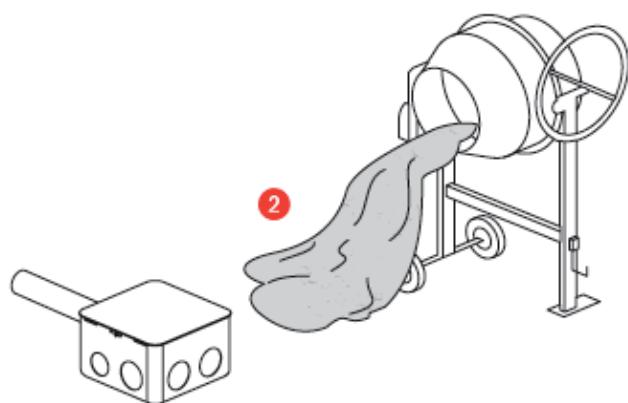
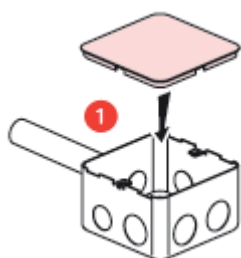


## 2. INSTALLATION (continued)

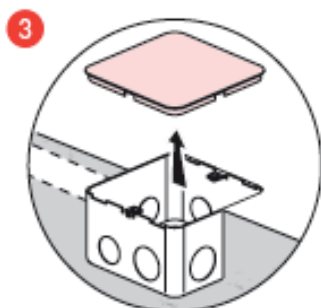
Pop-up is delivered with terminal block.



(1) It is necessary to close the back box for concrete using the protection cover delivered with before (2) pouring the concrete in order to prevent that the concrete to enter in the back box

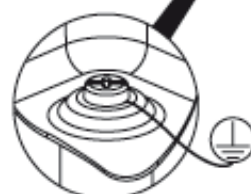
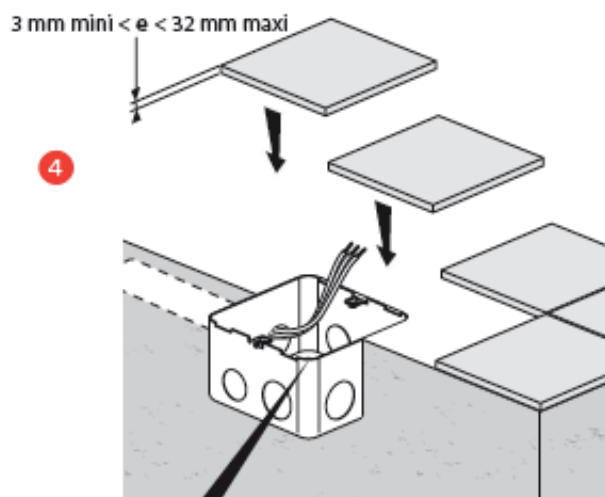


(3) Before the installation of pop-up, remove the cover protection delivered with the back box

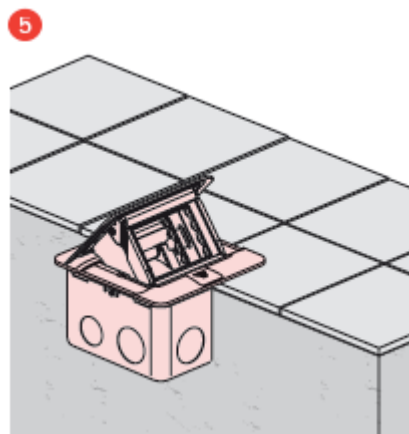


## 2. INSTALLATION (continued)

(4) On concrete floor with the back box, be careful during the installation of the backbox to the concrete floor. Before fitting coating, adjustment of the level (3mm mini)



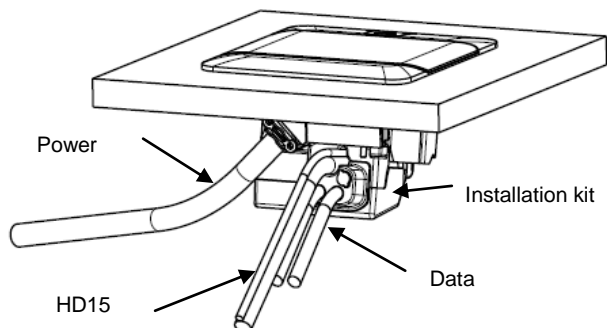
(5) Installation of Pop-up on the concrete floor by screwing on the back box



## 2. INSTALLATION (continued)

### 2.2 On raised floor

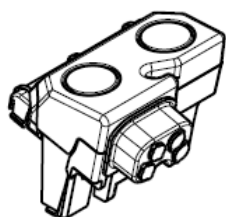
System overview.



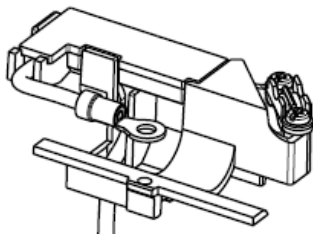
To fix on the raised floor

References	Installation kit for Pop-up
0 540 05	Installation kit 3modules
0 540 06	Installation kit 4modules
0 540 07	Installation kit 6(2x3) modules
0 540 08	Installation kit 8 (2x4) modules

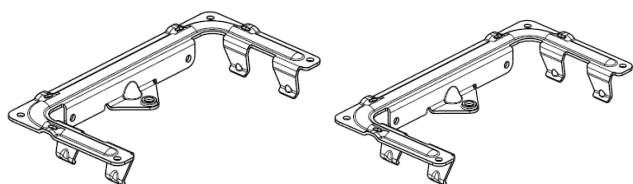
Composition :



1 insulation unit



1 Clamp support

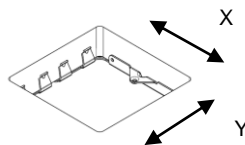


1 fixing bracket set

Fixations supports, allows to install the product directly on the raised floor.

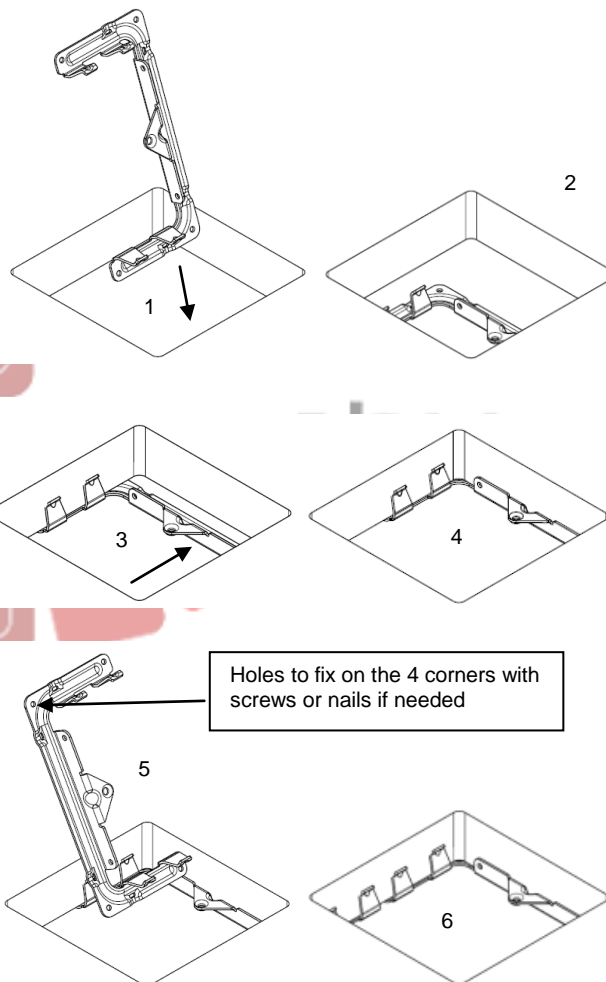
## 2. INSTALLATION (continued)

Raised floor cut out



	X(mm)	Y(mm)
3 mod	108 (+/-1mm)	108 (+/-1mm)
4 mod	108 (+/-1mm)	131 (+/-1mm)
6 mod	108 (+/-1mm)	218 (+/-1mm)
8 mod	108 (+/-1mm)	263 (+/-1mm)

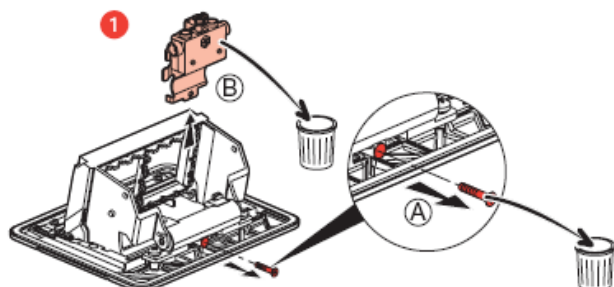
Positioning of the fixation supports in raised floor



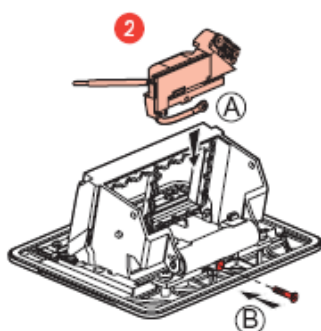
## 3. EQUIPEMENT

### 2.2 On raised floor

Before the installation of the kit, remove the terminal block delivered with the Pop-up (not to be used in this configuration)



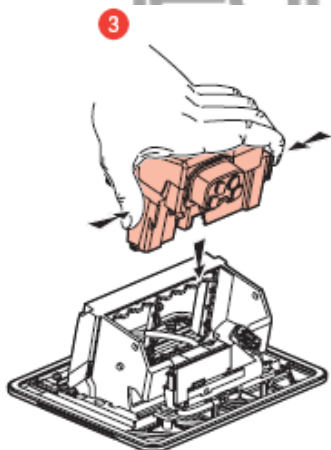
Please use the clamp support if you need power.



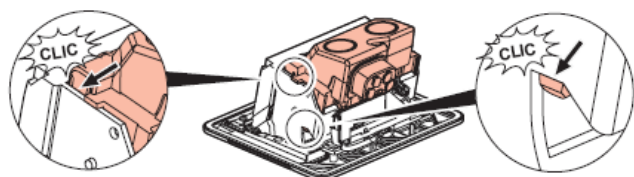
A : put the clamp support on the cylindrical dumper fix with the earthing screw  
B : earth on the metal part on the Pop-up

Support clamp is not necessary if you use only data socket

Installation of the insulation unit.



Position your fingers as represented above, press the kit and insert it in the Pop-up until clic.



## 3. EQUIPEMENT (continued)

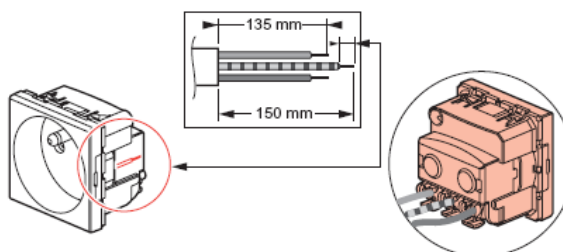
Installation for power sockets :

Assembly of the power cable in the Pop-up before the connection to wiring devices :

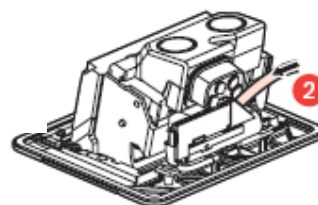
1- Remove the cable clamp



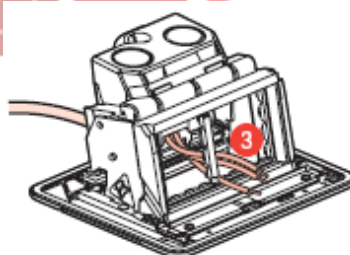
Wiring scheme with stripping :



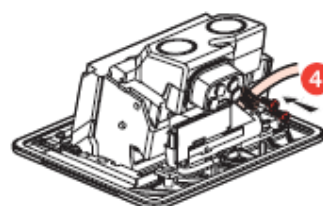
2- Insert the cable (please use only flexible cable) through the clamp support.



3- Let exceed only the stripped part of the cable inside the Pop-up



4- Lock the cable with the cable clamp

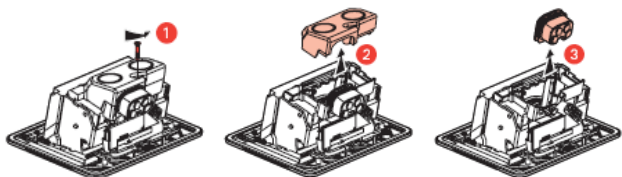


Connect the sockets cable before clipping on the support.

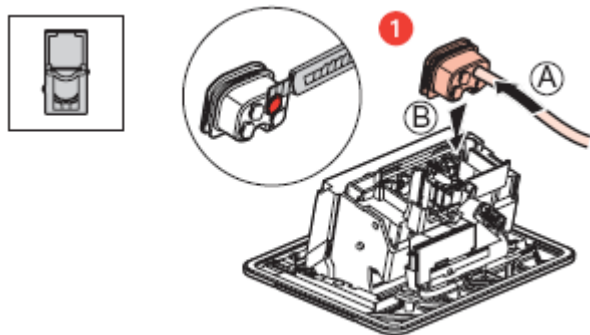
### 3. EQUIPEMENT (continued)

Assembly of the Ethernet cable for network in the Pop-up before the connection to RJ 45 sockets :

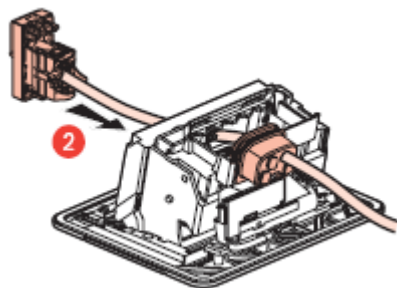
Remove the cable exit :



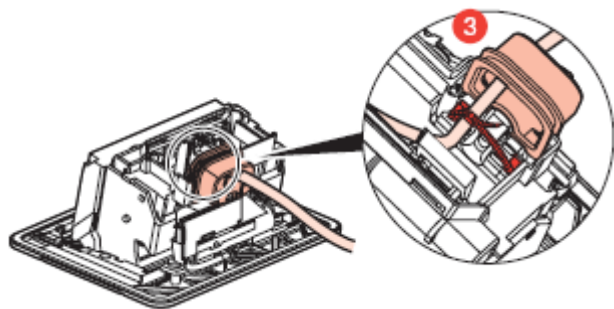
1- Cut out the protective cap according to the number of cable (4 max)



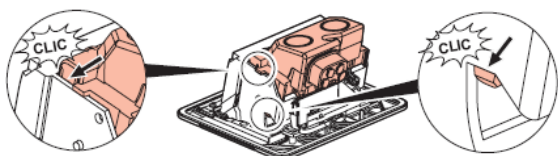
2- Pass the cables through the support to connect the sockets and clip them on the frame



3- Reposition the cable exit and block the cable using the cable tie.



Reassemble the cover with its screw to finalize the installation

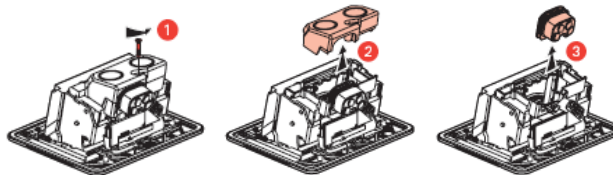


### 3. EQUIPEMENT (continued)

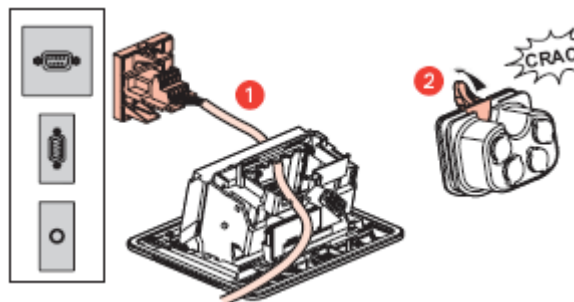
Installation for Audio/video sockets :

Assembly of the Audio cable in the Pop-up before the connection to HD 15 sockets :

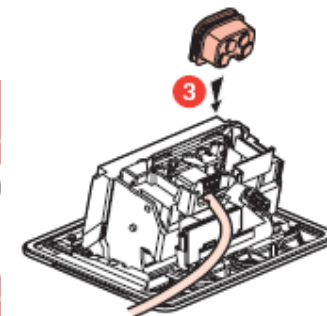
Remove the cable exit :



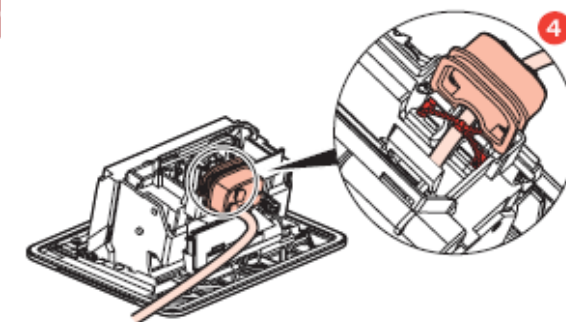
1- Pass the cable through the support to connect the HD 15 sockets  
2- Break the strip allowing the passage of the cable



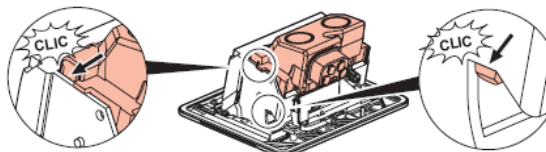
3- Position the cable in its receptacle and reposition the cable exit.



4- Lock the cable using the cable tie.



Reassemble the cover with its screw to finalize the installation

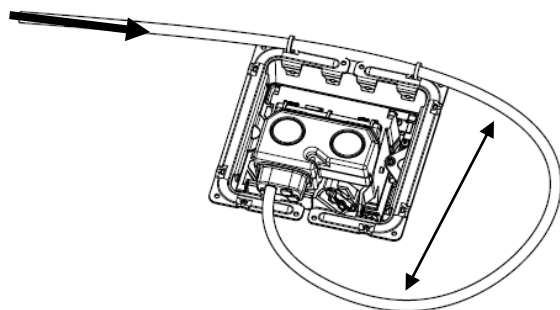


Note: in the case of audio/video mixed equipment (HD 15 + jack 3.5mm) equipped with two cords, proceed in the same way.

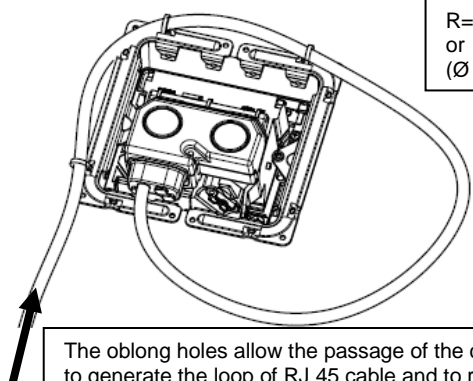
## Specific rules for data cable

Positioning of data cables on the raised floor:

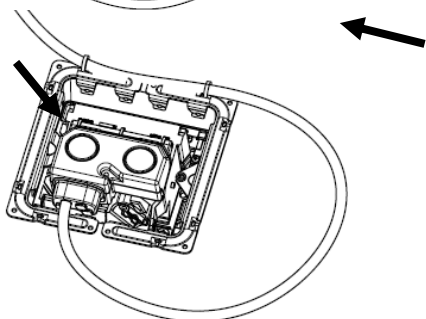
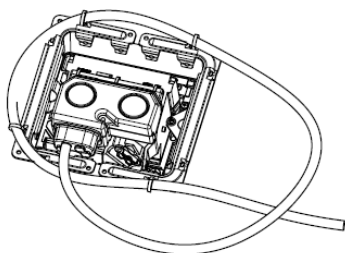
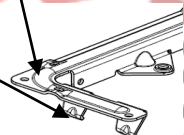
To respect the bend radius for data cables, it is necessary to fix the cables by respecting a radius higher than 80mm (curve of the cable at the exit on the kit and the points of fixing of the cable on the fixation supports).



R=80mm  
or  
(Ø 160mm)



The oblong holes allow the passage of the cable ties to generate the loop of RJ 45 cable and to respect the bend radius for data cables.



Maximum cable for data in assembly in a raised floor : cable 6a F/UTP

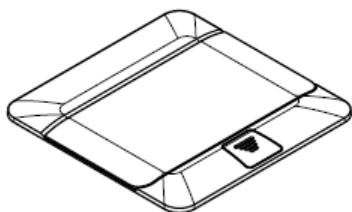
Note : if installation with several cables, they must be attached together using a cable tie



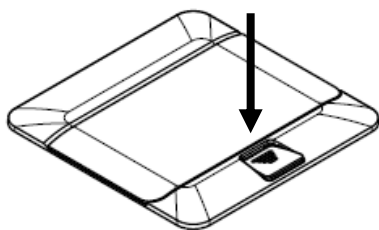
## 4. TECHNICAL CHARACTERISTICS

### 4.1 Opening of the Pop-up

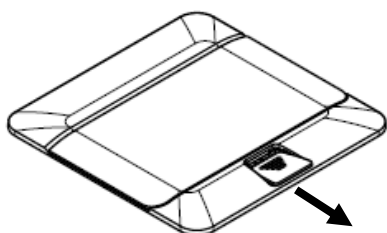
When closed, the Pop-up is locked



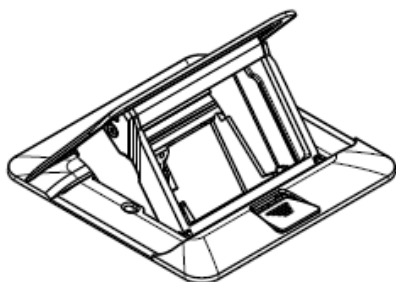
Press on the button to unlock the safety system



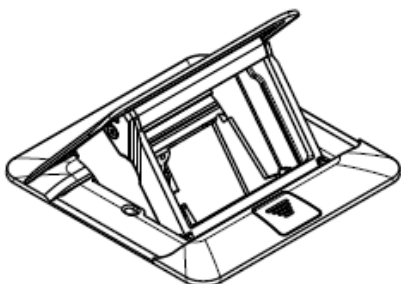
Pull the button



The trap door rises



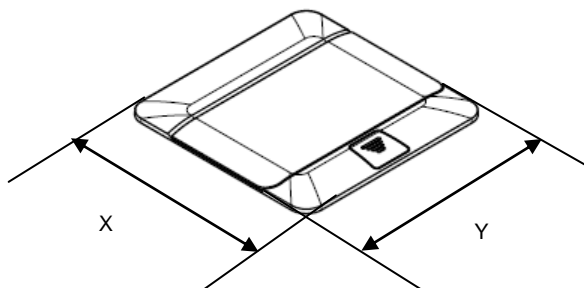
The button is positioned back automatically and the trap is locked when it is in high position (open)



To close again the Pop-up, it is necessary to press and pull to unlock.

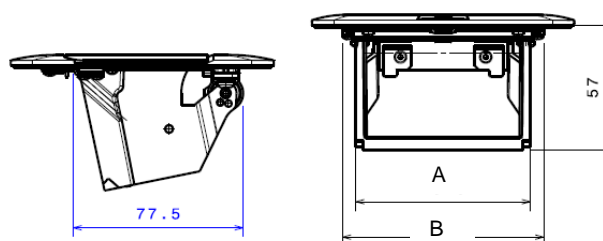
## 4. TECHNICAL CHARACTERISTICS (continued)

### 4.2: Dimensions of the Pop-up



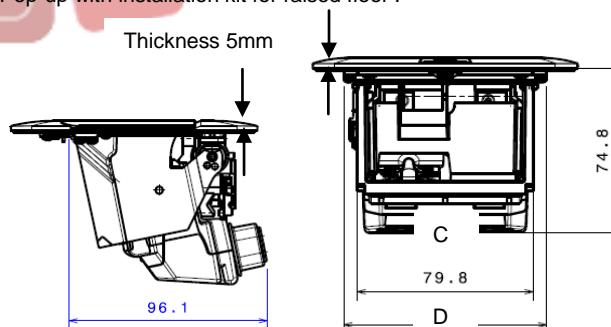
	X(mm)	Y(mm)
3 mod	120	120
4 mod	120	142.5
2x3 mod	120	230
2x4 mod	120	275

Pop-up (empty):



	A(mm)	B(mm)
3 mod	79.8	92
4 mod	102.3	114.5
2x3 mod	189.8	202
2x4 mod	231.6	247




Pop-up with installation kit for raised floor :



	C(mm)	D(mm)
3 mod	79.8	92
4 mod	102.3	114.5
2x3 mod	189.8	202
2x4 mod	231.6	247

**4. TECHNICAL CHARACTERISTICS (continued)**

B : Table of compatibility of equipment which can be installed.

Type of sockets	Modules
Mosaic & Arteur	
RJ 1 & 2 modules To use in raised floor only	
Low voltage socket	

Please note that:

- for unswitched british standard socket you have to intall it at 90°



- for switched british standard socket, you have to install the mechanism at 180°.



**4. TECHNICAL CHARACTERISTICS (continued)**

C : Classification for Pop-up standard:

Standard NFC 61-314 / EN 60 670-1 / EN 60 670-23)

Rated voltage	250 V~
To earth the system	R < 0,05 Ohms
Protection against mechanical impact:	IK07
Degrees of protection provided by enclosure:	IP30 open - IP40 closed.
Resistance to vertical load applied through small surface area:	1500N open - 3000N closed.
Insulation resistance	U=500V - R > 5M Ohms
Electric strength :	2000V

Installation on the floor : to be installed on floor subjected to a dry treatment.

Material :  
 Material halogen free, fire proofed and no propagator of the flame.  
 Resistant to corrosion and to the changes of temperature

Finishes	Material
Brass	Brass material
Aluminium	Aluminium material
Stainless steel	Zamak nickel coating

Installation :  
 On the floor (raised floor or concrete floor - do not use data with concrete)

Safety :  
 You must earth the system

Assembly :  
 Position the sockets directly in the supports (the installation is done by before)  
 Remove the support, using a tool  
 Open the cover by simple pressure on button located on the surface

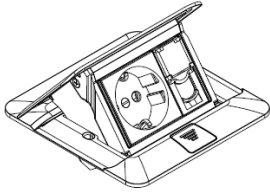
Cleaning :  
 The exterior should only be cleaned using a damp cloth (to avoid the contact with the active parts)  
 Do not use grittings

## 5. EXAMPLES TO USE

Example with wiring accessories on Pop-up :

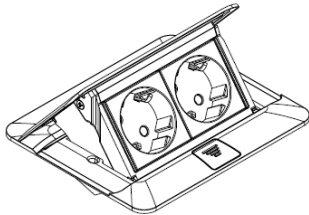
In Pop-up 3 modules :

1 socket German standard 2P+E + 1 RJ 45 socket Cat6 UTP

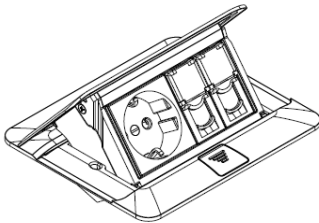


In Pop-up 4 modules :

2 sockets German standard 2P+E

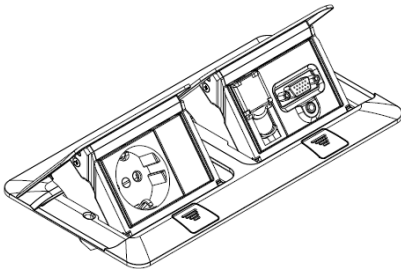


Or 1 socket German standard 2P+E + 2 RJ 45 sockets Cat6 UTP



In Pop-up 2x3 modules :

1 socket German standard 2P+E + 1 blanking plate  
+ 1 RJ 45 socket Cat6 UTP + 1 HD 15



In Pop-up 2x4 modules :

2 sockets German standard 2P+E + 1 HD 15 + 2 RJ 45 sockets  
Cat6 UTP

