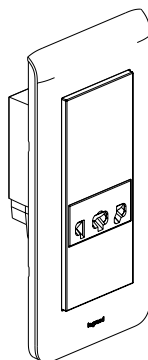


**Mosaic™**  
**Shaver socket**

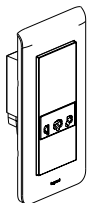
**Cat. No.: 775 86**



**1. USE**

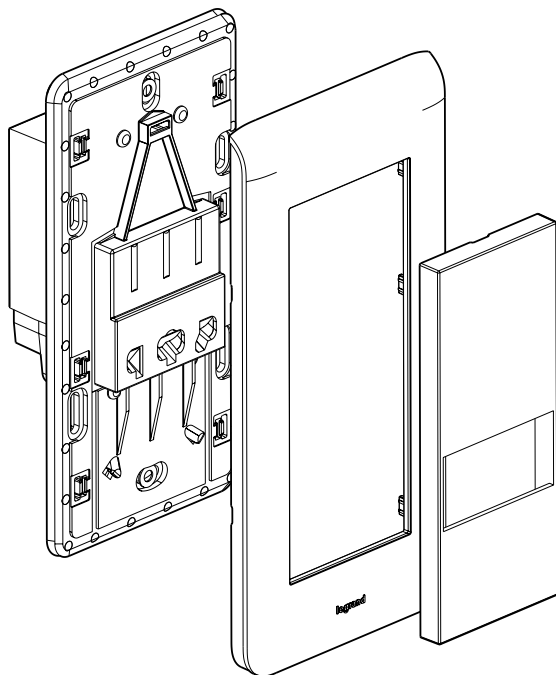
Equipped with a circuit separation transformer to isolate the user from the mains supply.  
Socket outlets for different international standards: Euro, US, British standard, Australian.  
The frame is integrated and the plate is supplied.

**2. RANGE**

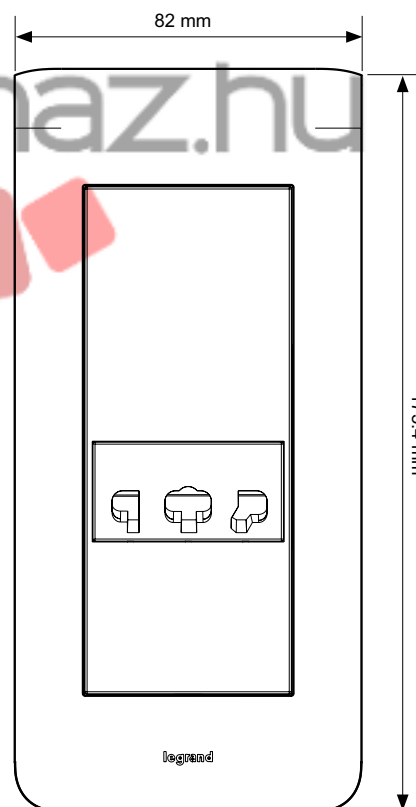
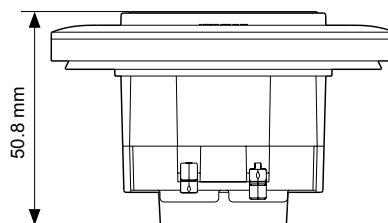
	Designation	Cat. No.	Fixation method	Connection method	Weight (g)
	Shaver socket	775 86	With screws	Auto	559

**3. PREPARATION**

The mechanisms can be flush-mounted in a 2 posts flush-mounted box depth 50 mm.

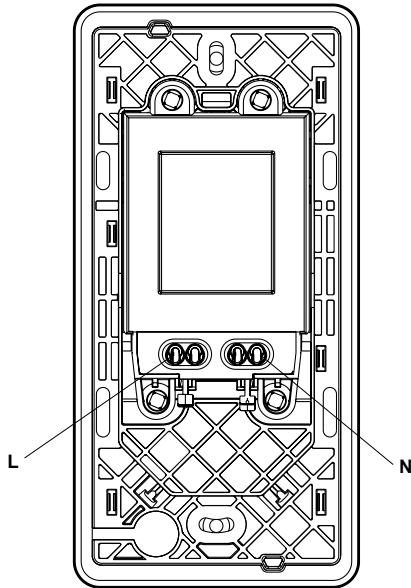


**4. OVERALL DIMENSIONS**



## 5. CONNECTION

Connection method: automatic  
Capacity: 2 x 2.5 mm<sup>2</sup> or 2 x 1.5 mm<sup>2</sup>  
Stripping length: 13 mm



## 6. TECHNICAL CHARACTERISTICS

### 6.1 Mechanical characteristics

Impact tests: IK 04  
Protection by solid bodies/liquids: IP 24

### 6.2 Material characteristics

Plate: ABS  
Cover plate: ABS  
Frame: PC

### 6.3 Electrical characteristics

Protected against overloads and short circuits by built-in thermal relay limiting the available power to 20 VA.  
Power supply: 230 V and 1 output 120/230 V  
Frequency: 50/60 Hz.  
Self-extinguishing: 850° C / 30 s.

### 6.4 Climatic characteristics

Storage and operating temperatures: - 5°C to + 40°C

## 7. CLEANING

Surface cleaning with a cloth.  
Do not use: acetone, tar remover, trichloroethylene.

### 7.1 Resistance to cleaning agents

Hexane (EN 60669-1), methylated spirits, soapy water, diluted ammonia, diluted pure bleach 10%, glass cleaning substance, pre-impregnated wipes.

### 7.2 Resistance to hospital-type cleaning agents

Resistance to the following agents: Anios, Surfanios, Bactilyline, Hydrogen peroxyde (35%).

**Caution:** A preliminary test should be carried out if other specific cleaning products are to be used.