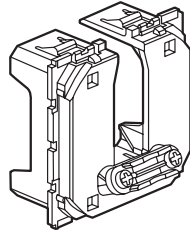
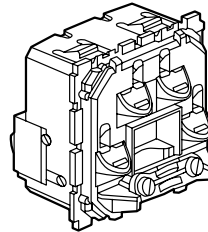


Céliane™ Cable outlets

Cat. No(s): 671 81/83



671 81



671 83

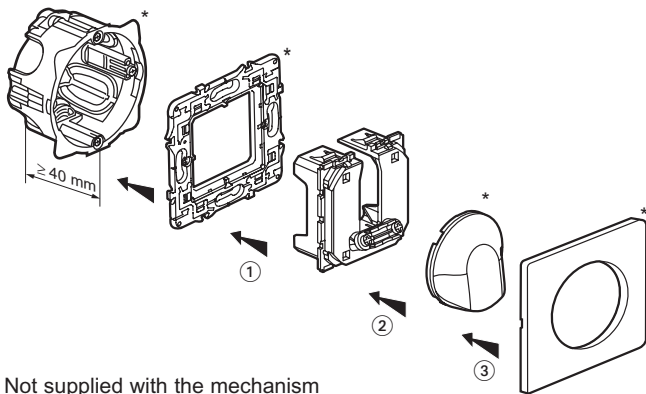
1. GENERAL CHARACTERISTICS

Cable outlets, equipped or not.

2. RANGE

	Designation	Cat. No.	Nbr. of gang	Fixing method	Connexion	Weight (g)	Characteristics
	Cable outlet	671 81	1	With clips		11.6	
	Equipped cable outlet	671 83	1	With clips	automatic	33	10 A - 250 V

3. FITTING



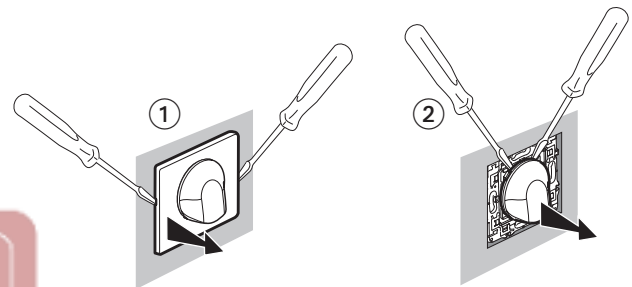
* Not supplied with the mechanism

- 1 - The mechanism is clipped to the support
- 2 - The cover is clipped to the mechanism
- 3 - The plate is clipped to the support.

Can be fitted with the full range of Céliane finishes.
Vertical or horizontal multi-gang mounting.

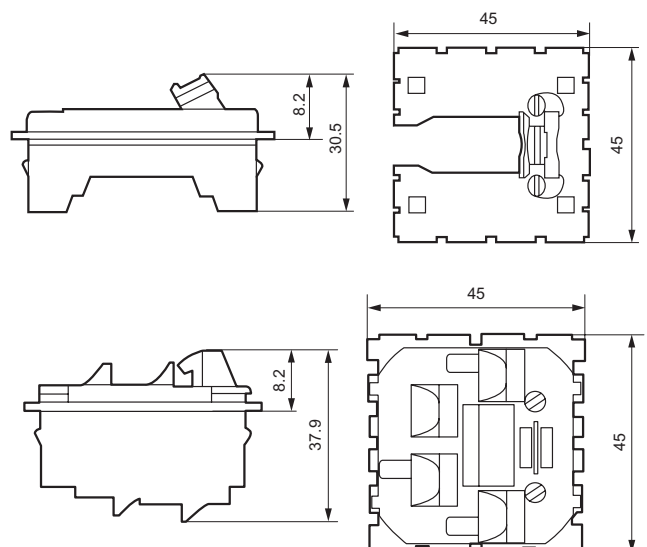
3. FITTING

Removing the cover plate



- 1 - Remove the plate
- 2 - Unclip the cover plate

4. OVERALL DIMENSIONS



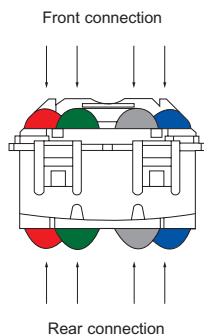
5. OPERATION

Cable outlets are equipped with cable grips.
Ax. cable diameter: 12.5 mm

For Cat. No. 671 81: authorised cables - H05 VVF or H07 RNF with maximum diameter of 12.5 mm.

6. CONNEXION

Cat. No. 671 83:
Terminal type: automatic
Stripping length: 12 mm
Cable cross-section:
Front face: 4 x 1.5 mm²
Rear face: 4 x 2 x 1.5 mm²



7. TECHNICAL DATA

7.1 Mechanical characteristics

Impact resistance: IK 04 } Without rocker
Penetration by solid/liquid bodies: IP 41 }

7.2 Material characteristics

Base: Polycarbonate

7.3 Electrical characteristics

Self-extinguishing: 650°C / 30 s

Cat. No. 671 83:

Voltage: 250 V

Current: 10 A

7.4 Climatic characteristics

Storage temperatures: - 10°C to + 70°C

Operating temperatures: - 5°C to + 50°C

8. CLEANING

No cleaning.