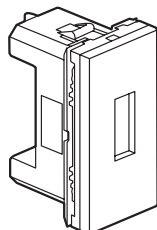


Mosaic™
USB A socket

Cat. No(s): 787 61 - 792 84



1. USE

For connecting USB devices (printer, scanner, external hard disk).

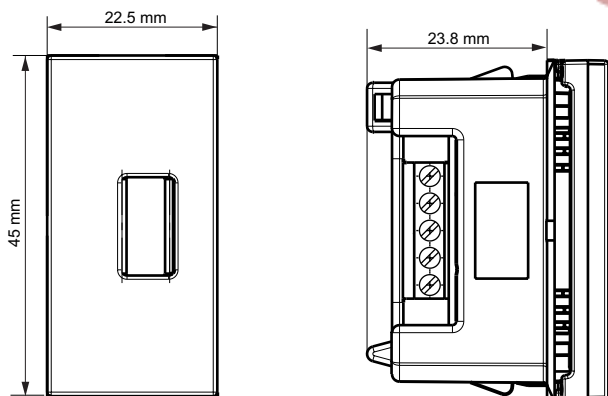
2. RANGE

	Designation	Cat. No.	Modules	Fixing method	Connction method	Weight (g)
	Female USB socket	787 61	1	With clips	With screws	15.4
	Female USB socket Aluminium cover plate	792 84	1	With clips	With screws	15.4

3. PREPARATION

- The mechanisms can be flush-mounted or surface-mounted.
- Modular mechanisms using adapter Cat. No. 802 99 (2 modules).
- The mechanisms are mounted on thin walls using adapters Cat. No. 802 90 (1 module), 802 91 (2 modules), 802 92 (2 x 1 vertical module).

4. OVERALL DIMENSIONS



5. CONNECTION

Wide terminal strip taking a 1 mm² conductor max.
Supplied in a bag containing :
- 1 Colring tie
- ferrules to be crimped for conductor < 0.5 mm²
- thermoformable sheaths.

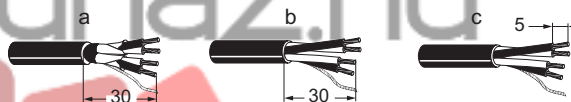
The recommended cable is USB specific high/full-speed or low-speed cable according to use.

Max. cable length :
- 5 m in twisted pairs at 1.5 Mbit/s (low-speed)
- 3 m in twisted pairs at 12 Mbit/s (high/full-speed).

Maximum length is given for information only.

Transmission quality depends directly on the quality of the cable and the connection to the sockets.

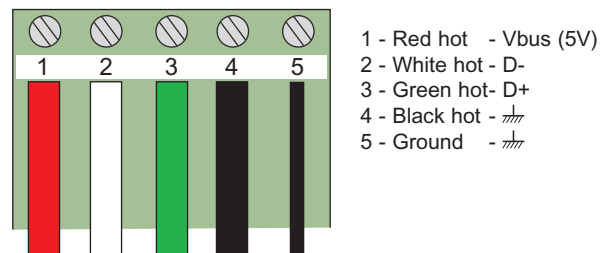
Stripping



Wiring

Tools required : flat-blade screwdriver 0.4 x 2.5 mm and flat-nose pliers.
Insulate the braid using the neoprene sleeve supplied, thread it into the ferrule supplied and crimp it using the flat-nose pliers.
Thread the core into the respective ferrule supplied and crimp it using the flat-nose pliers.
Hold the cable mechanically using the cable clamp supplied.

Follow the cabling instructions below :



USB A socket**6. TECHNICAL CHARACTERISTICS****6.1 Mechanical characteristics**

Impact tests : IK 04

Penetration by solid bodies/liquid : IP 40

6.2 Climatic characteristics

Base : Polycarbonate

Cover : ABS

Self-extinguishing : 650°C / 30 s

6.3 Climatic characteristics

Storage temperature : - 10°C to + 70°C

Operating temperature : - 5°C to + 50°C

7. CLEANING

Surface cleaning with a cloth.

Do not use : acetone, tar remover, trichloroethylene.

7.1 Resistance to cleaning agents

Resistance to the following agents : - Hexane (EN 60669-1)

- Methylated spirits

- Soapy water

- Diluted ammonia

- Diluted pure bleach 10%

- Glass cleaning substance

- Pre-impregnated wipes.

7.2 Resistance to hospital-type cleaning agents

Resistance to the following agents : - Anios

- Surfanios

- Bactylsine

- Diluted hydrogen peroxide (35%)

Caution : A preliminary test should be carried out if other specific cleaning products are to be used.



legrandaruhaz.hu