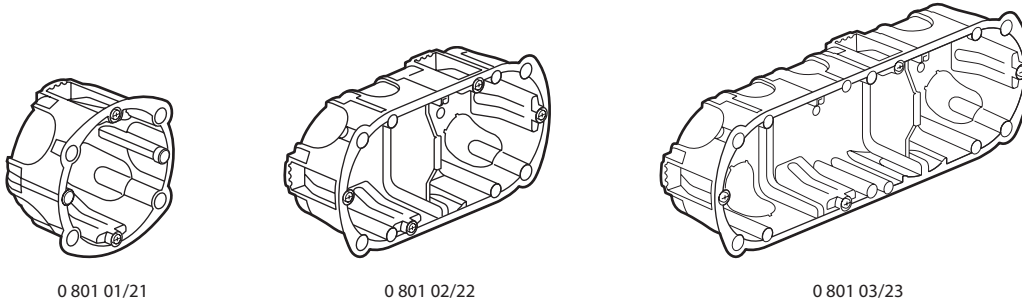


Batibox™

Multi-materials flush-mounting boxes

Cat. No(s): 0 801 01/02/03/21/22/23



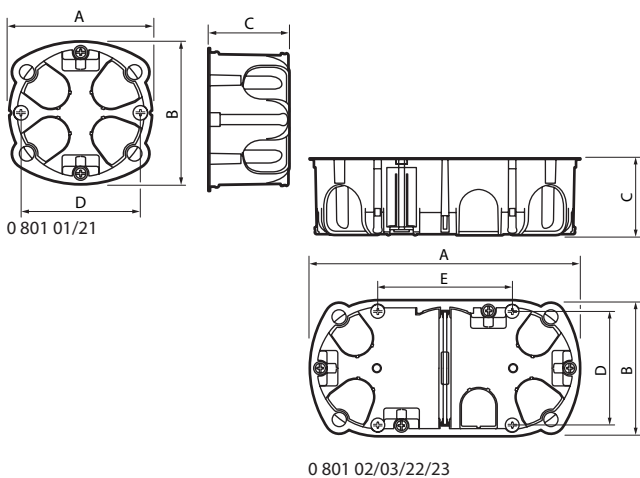
1. USE

Boxes reinforced rigidity with different fixing methods .

2. RANGE

1-GANG BOXES Ø 67 mm	Depth 40 mm	Depth 50 mm
1-gang - 2 modules	0 801 01	0 801 21
MULTI-GANG BOXES Ø 67 mm - Fixing centres 71 mm For screw mounting devices Delivered with removable partitions for extended functions (eg: pre-wired sockets).	Depth 40 mm	Depth 50 mm
2-gang - 4/5 modules	0 801 02	0 801 22
3-gang - 6/8 modules	0 801 03	0 801 23

3. OVERALL DIMENSIONS (mm)



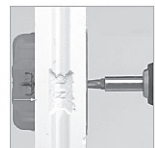
3. OVERALL DIMENSIONS (mm)

Cat. Nos	A	B	C	D	E
0 801 01	72	72	40	60	-
0 801 02	143	72	40	60	71
0 801 03	214	72	40	60	71
0 801 21	72	72	50	60	-
0 801 22	143	72	50	60	71
0 801 23	214	72	50	60	71

4. PREPARATION

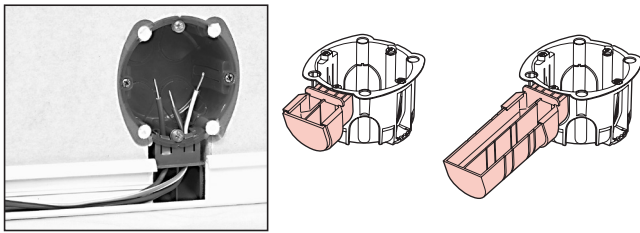
For mounting 2 (1-gang) to 8 (3-gang) modules in a monobloc box.
 Boxes reinforced rigidity with different fixing methods making them suitable for installation in a variety of materials:

- Plasterboard, plywood, sheet steel, brick, gypsum plaster - fixed by metal clamps on hollow partition walls
- Breeze block, brick - fixed using sealant on masonry walls
- Quick sealing by injection of water washable adhesive Cat. No. 0 801 07.
- Option to bed multi-material boxes into masonry and inject sealant (chemical compound, polyurethane foam, neoprene, etc.).

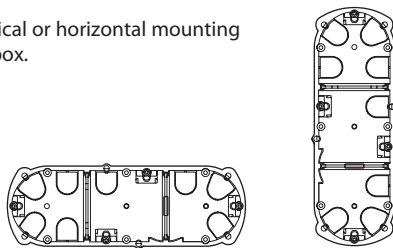


4. PREPARATION

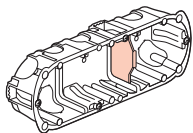
Accessory 0 801 05 can be used to semi-flush mount boxes in Celiame mini-trunking and skirting.



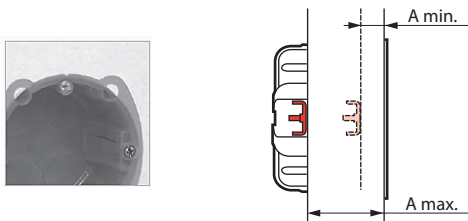
For multi-gang boxes, vertical or horizontal mounting is possible with the same box.



Separation of mains voltage and ELV is possible using the removable dividers supplied.



Perfect fit to the structure with the wide collar and metal brackets captive.



Clamp-fixing for hollow materials	Range	
	A min.	A max.
Depth 40 mm	4 mm	30 mm
Depth 50 mm	9 mm	35 mm

Multiple options for cable entries (on side and back of box) which can be knocked out without the need for a tool.

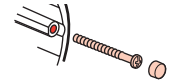
Cat. Nos	Number of entries (mm)	
0 801 01	2 x 20 - 2 x 25	1 entry for semi-flush mounting
0 801 02	3 x 20 - 2 x 25	1 entry for semi-flush mounting
0 801 03	6 x 20 - 2 x 25	1 entry for semi-flush mounting
0 801 21	2 x 20 - 2 x 25	-
0 801 22	3 x 20 - 2 x 25	1 entry for semi-flush mounting
0 801 23	6 x 20 - 2 x 25	1 entry for semi-flush mounting

5. GENERAL CHARACTERISTICS

Multi-material flush-mounting boxes are particularly suitable for refurbishment projects and for screw mounting accessories. 40 mm deep boxes have a special opening to allow semi-flush mounting on mini-trunking using accessory Cat. No. 0 801 05.

Drill holes: Ø 67/68 mm

Screws with No.1 Phillips head, protective cap and 28 mm shaft.



■ **5.1 Mechanical characteristics**

Protection against solid bodies and liquids: IP 20
Protection against impacts: IK 04

■ **5.2 Material characteristics**

Boxes: rigid PVC, transparent orange
Halogen free

Screws: Grey hardened nickel and zinc plated steel

Self-extinguishing: + 850° C / 30 s

■ **5.2 Climatic characteristics**

Storage temperature: - 5° C to + 60° C

Use temperature: - 5° C to + 40° C

6. ACCESSORIES


Universal covers for single or multi-boxes:

To transform switchgear boxes in junction boxes or for closing an existing box.

	Round cover: 0 801 80 - Ø 85 mm for 1-gang boxes
	Square cover: 0 892 81 - 80 x 80 mm for 1-gang boxes
	Cover: 0 801 82 - 155 x 85 mm for 2-gang boxes Fixing centres 71 mm
	Template : 0 800 77
	Hole saws: 0 800 67 - Ø 67 mm (for plasterboard, fibreboard, stainless steel, etc.). Fixing: 6 pans of 11 mm.
	Hole saws concretion in tungsten carbide 0 801 67: Ø 67 mm (for very hard or abrasive materials).
	Hole cutter 0 892 68: Ø 68 mm (for hard materials and installing in Celiame mini-trunking and skirting).
	Device (Cat. No. 0 801 05) for mounting in Celiame mini-trunking and skirting, supplied with a drilling template.
	Multi-material adhesive: 0 801 07

6. CONFORMITY - APPROVALS

Conforming to CENELEC standard EN 60670-1
Approvals: NF-OC-CCA

Quality mark	Standard	Date obtained
	NF EN 60670-1	19/02/2007