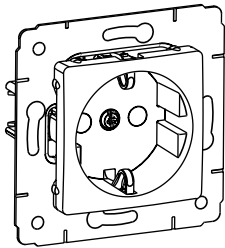
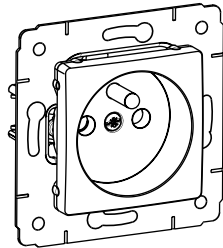


Cariva™ Socket-outlets

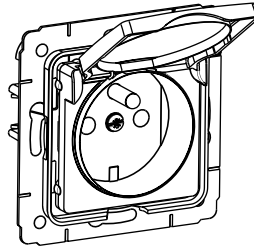
Cat. Nos: **7 736 16/20/21/22/24/25/28/59**
7 737 16/20/21/22/24/25/28/59
7 738 16/20/21/22/24/25/28
7 739 20/21/22/24/25/28



7 736 20



7 736 24



7 737 28

CONTENTS

Pages

1. Use	1
2. Range	1
3. Dimensions.	1
4. Positioning	2
5. Connection.	2
6. Technical characteristics	2
7. Cleaning	3
8. Standards and approvals	3

1. USE

16 A - 250 V~ socket-outlets conforming to German and French standards.
 Fixed using screws and/or claws.
 To be fitted with finishing plates.

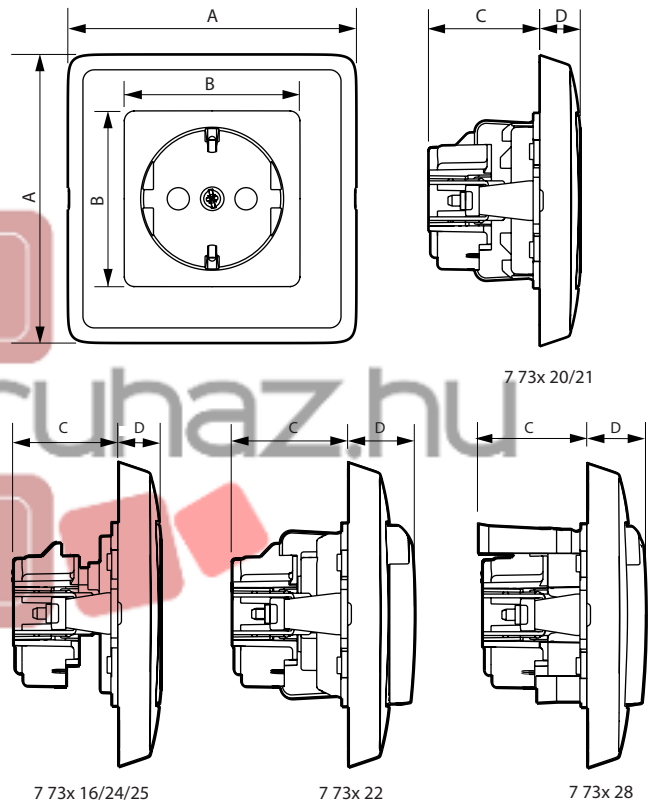
2. RANGE

	Description	Type reference	White	Ivory	Weight
2 P SOCKETS - 16 A - 250 V~					
	2 P socket	BMD 030	7 736 16	7 737 16	57 g
2 P+E SOCKETS - 16 A - 250 V~ - GERMAN STANDARD					
	2 P+E socket without safety shutters	BMD 020	7 736 20	7 737 20	62 g
	2 P+E socket with safety shutters	BMD 020	7 736 21 7 736 59	7 737 21 7 737 59	66 g
	2 P+E with lid and safety shutters	BMD 020	7 736 22	7 737 22	71 g
2 P+E SOCKETS - 16 A - 250 V~ - FRENCH STANDARD					
	2 P+E socket without safety shutters	BMD 010	7 736 24	7 737 24	64 g
	2 P+E socket with safety shutters	BMD 010	7 736 25	7 737 25	67 g
	2 P+E with lid and safety shutters - IP44	BMD 010	7 736 28	7 737 28	76 g

VERSIONS

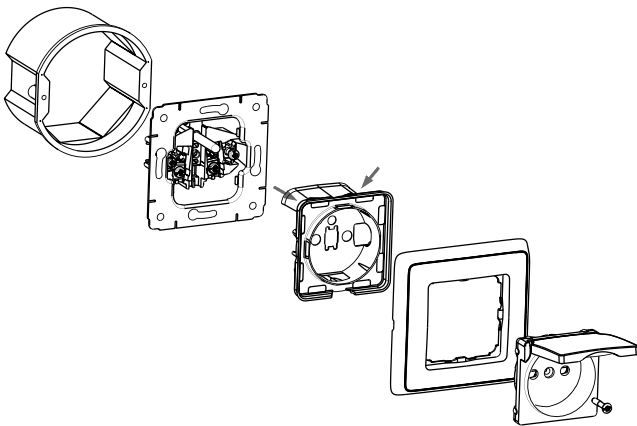
Modular	7 736 xx	7 737 xx
Complete Supplied with 1-gang plate	7 738 xx	7 739 xx

3. DIMENSIONS (mm)



Cat. Nos.	A	B	C	D
7 73x 20/21	81	48,4	30,9	11,3
7 73x 16/24/25	81	48,4	27,9	11,3
7 73x 22	81	48,4	30,9	17,7
7 73x 28	81	48,4	29,0	15,6

4. POSITIONING

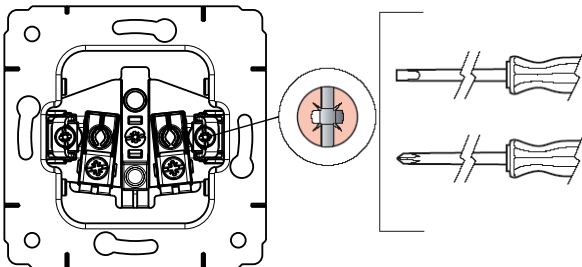


Cariva socket-outlets are mounted in commercially-available flush-mounting boxes. For surface mounting installation, the appropriate surface mounting boxes must be used (7 736 98 and 7 737 98).

■ 4.1 Screws

Cariva socket-outlets are equipped with M3 screws. To ensure quick, safe mounting, the mechanisms have been equipped with mixed head screws (Pozidriv + slot for flat screwdriver).

Size of tools to be used on Cariva mechanisms with screws with mixed head and 3 mm diameter: PZ1 or flat screwdriver 0,8x 4.

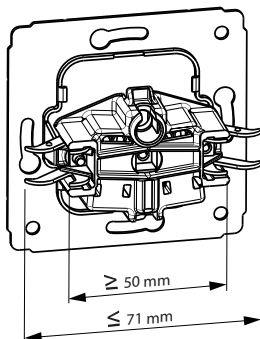


To avoid any risk of damaging the screws by overtightening, take note of the maximum tightening torque in standard IEC 60884-1.

When using electric screwdrivers, it is advisable to preset the tightening torque to 0,5/0,6 Nm.

■ 4.2 Fixing claws

When open, the claws extend dimensions from 50 to 71 mm.



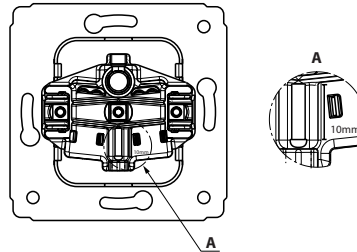
5. CONNECTION

■ 5.1 Connection terminals

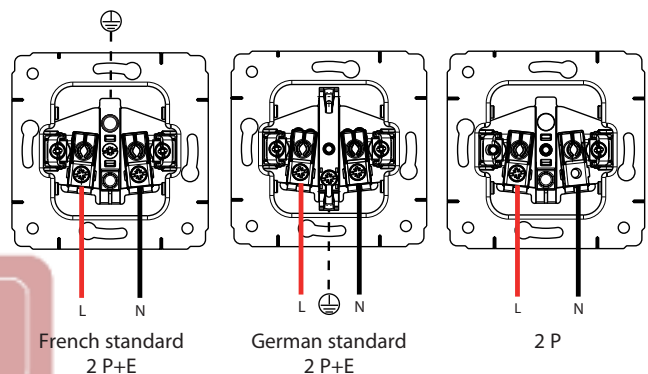
All socket-outlet mechanisms are equipped with screw terminals for copper conductors, compliant with standard IEC 60884-1.

The stripped length required is 10 mm for all mechanisms. A gauge marking on the back of the socket makes it easy to see the correct length.

The terminal capacity is 1,5 mm² to 2,5 mm² (1 or 2 conductors).



■ 5.2 Wiring diagrams



6. TECHNICAL CHARACTERISTICS

■ 6.1 Degree of protection

Protection against solid objects and liquids: IP 20 (complete mechanism), unless otherwise specified

Impact protection: IK 04 (0,5 J)

■ 6.2 Material characteristics

Plates and lid: Acrylonitrile butadiene styrene (ABS)

Cover plate: Polycarbonate (PC)

Colours: White RAL 9003 and Ivory RAL 1013

Mechanisms:

Frame	Zinc-plated steel
Base	Polypropylene (PP) - RAL 7016
Claws	Zinc-plated steel
Screws	Zinc-plated steel
Contacts	Brass CuZn36
Terminal nuts	Zinc-plated steel

Self-extinguishing:

+ 850 °C / 30 s for insulating parts holding live parts in place

+ 650 °C / 30 s for the other insulation material components

■ 6.3 Climatic characteristics

Usage temperature: - 5 °C to + 40 °C

Storage temperature: - 25 °C to + 40 °C

■ 6.4 Marking

Frame	Stamped markings
Base	High-relief engravings

7. CLEANING

Clean the surface with a cloth.
Do not use: acetone, tar-removing cleaning agents or trichloroethylene.

Warning: Always test before using other special cleaning products.
Always disconnect the socket protection circuit in the switchboard before cleaning.

8. STANDARDS AND APPROVALS

Compliant with installation and manufacturing standards.
See e-catalogue.

