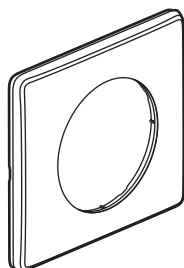
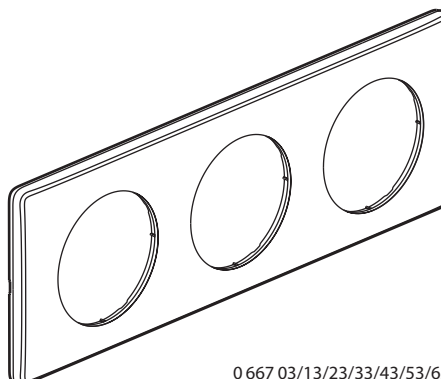


Céliane™ Finishing plates Poudré

Cat. No(s): 0 667 01/02/03/04/05/06/08/09/11/12/13/14/15/16/18/19
 0 667 21/22/23/24/25/26/28/29/31/32/33/34/35/36/38/39
 0 667 40/41/42/43/44/45/46/48/49/51/52/53/54/61/62/63/64



0 667 01/11/21/31/40/41/51/61



0 667 03/13/23/33/43/53/63

1. USE

Faceplates for 1-gang to 4-gang wiring accessories.
 Horizontal or vertical mounting.

2. RANGE

Plates 1 gang

	<ul style="list-style-type: none"> □ Craie ▣ Argile ▤ Grès ▥ Schiste ▦ Eclipse ▧ Basalte ▨ Bordeaux ▩ Vieux Rose 	<ul style="list-style-type: none"> 0 667 01 0 667 11 0 667 21 0 667 31 0 667 40 0 667 41 0 667 51 0 667 61
--	--	--

Plates 2 gang - 71 mm spacing

	<ul style="list-style-type: none"> □ Craie ▣ Argile ▤ Grès ▥ Schiste ▦ Basalte ▧ Bordeaux ▨ Vieux Rose 	<ul style="list-style-type: none"> 0 667 02 0 667 12 0 667 22 0 667 32 0 667 42 0 667 52 0 667 62
--	---	--

Plates 2 gang - 57 mm spacing

	<ul style="list-style-type: none"> □ Craie ▣ Argile ▤ Grès ▥ Schiste ▦ Basalte 	<ul style="list-style-type: none"> 0 667 08 0 667 18 0 667 28 0 667 38 0 667 48
--	---	--

Extended plates 2 gang (4/5 modules)

	<ul style="list-style-type: none"> □ Craie ▣ Argile ▤ Grès ▥ Schiste ▦ Basalte 	<ul style="list-style-type: none"> 0 667 05 0 667 15 0 667 25 0 667 35 0 667 45
--	---	--

Plates 3 gang - 71 mm spacing

	<ul style="list-style-type: none"> □ Craie ▣ Argile ▤ Grès ▥ Schiste ▦ Basalte ▧ Bordeaux ▨ Vieux Rose 	<ul style="list-style-type: none"> 0 667 03 0 667 13 0 667 23 0 667 33 0 667 43 0 667 53 0 667 63
--	---	--

2. RANGE (continued)

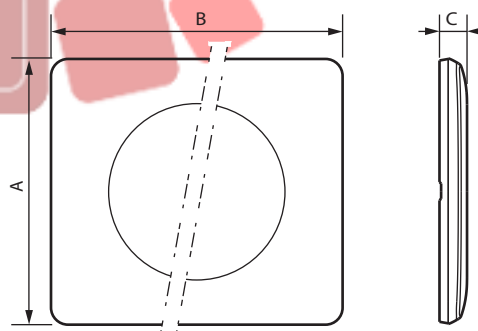
Extended plates 3 gang (6/8 modules)

	<ul style="list-style-type: none"> □ Craie ▣ Argile ▤ Grès ▥ Schiste ▦ Basalte 	<ul style="list-style-type: none"> 0 667 06 0 667 16 0 667 26 0 667 36 0 667 46
--	---	--

Plate 4 gang - 71 mm spacing

	<ul style="list-style-type: none"> □ Craie ▣ Argile ▤ Grès ▥ Schiste ▦ Basalte ▧ Bordeaux ▨ Vieux Rose 	<ul style="list-style-type: none"> 0 667 04 0 667 14 0 667 24 0 667 34 0 667 44 0 667 54 0 667 64
--	---	--

3. DIMENSIONS (mm)



References	A	B	C
0 667 01/11/21/31/40/41/51/61	82	90	8.5
0 667 02/12/22/32/42/52/62	82	161	8.5
0 667 05/15/25/35/45	82	161	8.5
0 667 03/13/23/33/43/53/63	82	232	8.5
0 667 06/16/26/36/46	82	232	8.5
0 667 04/14/24/34/44/54/64	82	303	8.5
0 667 08/18/28/38/48	82	374	8.5
0 667 09/19/29/39/49	82	147	8.5

4. TECHNICAL CHARACTERISTICS

■ 4.1 Material characteristics

Polyglass appearance

Material: - PC + ABS

- Halogen free

- UV resistant

Self-extinguishing: 650° C / 30 s

■ 4.2 Climatic characteristics

Storage temperature: - 10° C to + 70° C

Use temperature: - 5° C to + 50° C

5. CLEANING

Clean the surface with a cloth.

Do not use acetone, tar-removing cleaning agents or trichloroethylene.

Resistance to the following products: Hexane (EN 60669-1), Methylated spirits, Soapy water, Diluted ammonia, Diluted pure bleach 10%, Glass cleaning product, Pre-impregnated wipes.

Caution: A preliminary test should be carried out if other specific cleaning products are to be used.

6. SPECIAL USE

The plates must not be painted.

