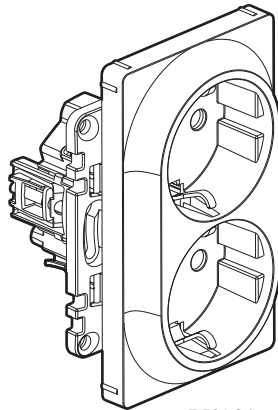
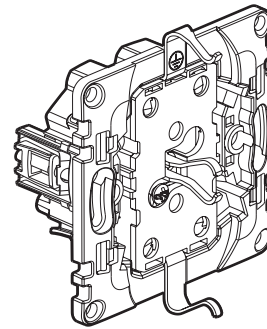


Valena™ Life - Valena™ INMATIC
Double socket outlets - German standard

Cat. No(s): 7 531 13/26/27/90 - 7 532 13/26/27/90
 7 533 13/26/27/90 - 7 530 26/27



7 531 26



7 530 26

1. USE

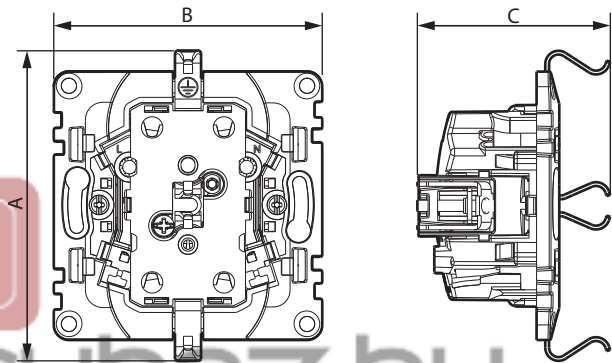
Double socket outlets 16 A - 250 V~ with shutters.
 Mechanisms supplied with support and protection cover.
 Installation in 1-gang flush-mounting or surface-mounting box, allows replacing 1 socket by 2 sockets without changing mounting box.
 To be equipped with plates.

2. RANGE

Description	White	Ivory	Aluminium	Whitout rocker
Double socket 2 x 2 P+E with shutters	7 531 13	7 532 13	7 533 13	-
Double socket 2 x 2 P+E with shutters	7 531 26	7 532 26	7 533 26	-
Double socket 2 x 2 P+E without shutters	7 531 27	7 532 27	7 533 27	-
Double socket 2 x 2 P+E with shutters	-	-	-	7 530 26
Double socket 2 x 2 P+E without shutters	-	-	-	7 530 27
Double socket 2 x 2 P+E with shutters	7 531 90	7 532 90	7 533 90	-

3. OVERALL DIMENSIONS (mm) (continued)

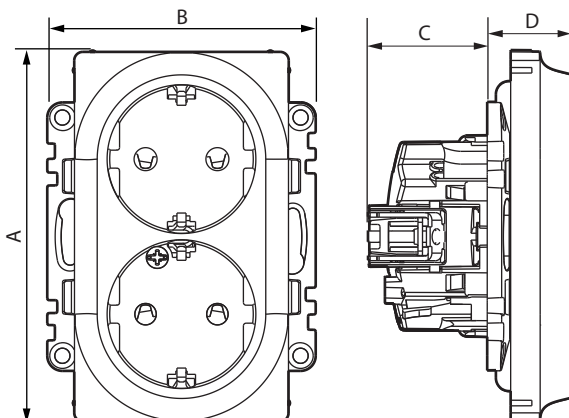
Cat. No: 7 530 26



References	A	B	C	D
7 530 26/27	82	71	51	-
7 531 13/26/27/90	98.5	71	32	22.5
7 532 13/26/27/90				
7 533 13/26/27/90				

3. OVERALL DIMENSIONS (mm)

Cat. No: 7 531 26



4. CONNEXION

Automatic terminals
 Capacity: 2 x 2.5 mm²
 Stripping length: 13 mm
 Flexible or rigid cables compatible

5. TECHNICAL CHARACTERISTICS

■ 5.1 Mechanical characteristics

Protection against solid bodies and liquids: IP 20
Protection against impact: IK 04

■ 5.2 Material characteristics

Polygloss appearance

Colour: - White RAL 9003
- Ivory RAL 1013
- Aluminium

Material: - Plate ABS

- Socket cover plate: Polycarbonate
- Halogen free
- UV resistant

Material of the support: - Polycarbonate grey RAL 7037 + Metal
- Halogen free

Self-extinguishing:

+ 850° C / 30 s for insulating parts holding live parts in place
+ 650° C / 30 s for other parts made of insulating materials.

■ 5.3 Electrical characteristics

Voltage: 250 V~

Current: 16 A

Frequency: 50/60 Hz

■ 5.4 Climatic characteristics

Storage and usage temperature: - 5° C to + 35° C

6. MAINTENANCE

Surface cleaning with a cloth.

Do not use: acetone, tar remover, trichloroethylene.

Maintenance with the following products: Hexane (EN 60669-1),
Methylated spirit, Soapy water, Diluted ammonia, Bleach diluted to 10%,
Window-cleaning products.

Caution: A preliminary test should be carried out if other specific
cleaning products are to be used.

7. STANDARDS AND APPROVALS

Compliance with standards of installation and manufacturing.
Refer to e. catalogue.