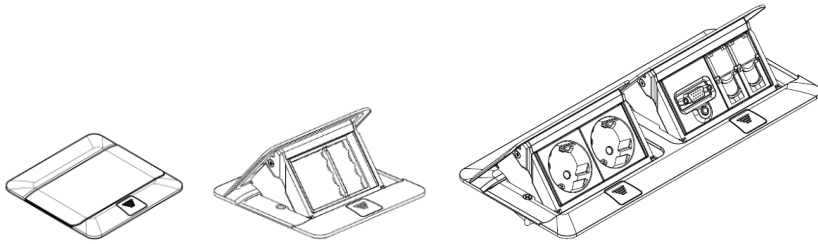


Pop-Up Floor

Number(s) : 0 540 00 à 03 – 0 540 05 à 08 – 0 540 10 à 13 – 0 540 15 à 18 – 0 540 20 à 23 – 6 503 31 – 6 503 90



| CONTENTS | PAGES |
|------------------------------|---------|
| 1. Range | 1 to 2 |
| 2. Installation | 3 to 5 |
| 3. Equipment | 6 to 8 |
| 4. Technical characteristics | 8 to 11 |
| 5. Example to Use | 12 |

1. RANGE

- a solution for integration of wiring accessories in raised or concrete floor (3 finishes)
- conform to NFC 61-314 / EN 60 670-1 / EN 60 670-23

| | | | |
|-----------------------|--|--|---|
| <p>Raised floor</p> | | <p>For safety reasons, the use of the installation kit is compulsory in raised floor</p> | <p>Functions</p> <ul style="list-style-type: none"> - Power - Data Cat6 - AV |
| <p>Concrete floor</p> | | <p>Use the back boxes for concrete floor metal or plastic</p> | <p>Functions</p> <ul style="list-style-type: none"> - Power |

2 types of Pop-up :

| single | | Double | |
|-----------|-----------|-----------|-----------|
| 3 modules | 4 modules | 6 modules | 8 modules |
| | | | |

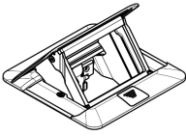

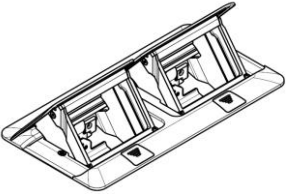
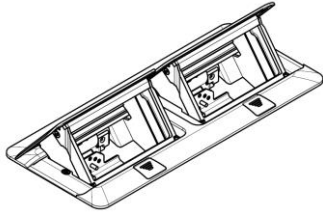
Pack by 1

Note : screws delivered with Pop Up

16A 250 V~, 3680W en 230 V~per circuit

1. RANGE (continued)

Pop-up selection chart :

| Finishes | 3 modules  | 4 modules  | 6 (2x3) modules  | 8 (2x4) modules  |
|-------------------------|--|--|---|--|
| Brushed Brass | 0 540 15 | 0 540 16 | 0 540 17 | 0 540 18 |
| Matt Aluminium | 0 540 10 | 0 540 11 | 0 540 12 | 0 540 13 |
| Brushed Stainless steel | 0 540 20 | 0 540 21 | 0 540 22 | 0 540 23 |

To be equipped with :

- with Mosaic or Arteor wiring devices
- with 1 installation kit for raised floor or with 1 backbox for concrete floor





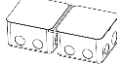
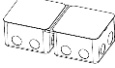
2. INSTALLATION

2.1 On concrete floor

Back box for concrete delivered with protection cover

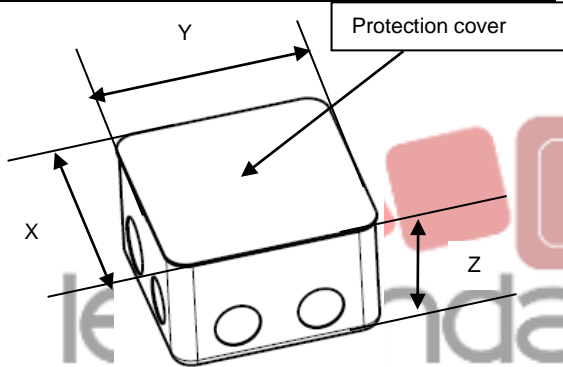
- minimum screed depth = 60mm

To be used with conduits diameter 20mm

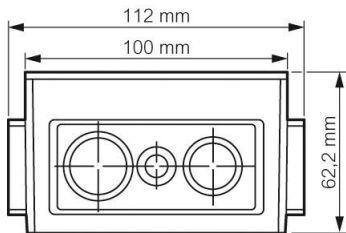
| | Pop-up 3 mo | Pop-up 4 mod | Pop-up 6 (2x3) mod | Pop-up 8 (2x4) mod |
|---------|---|---|---|---|
| |  |  |  |  |
| Metal | 0 540 00 | 0 540 01 | 0 540 02 | 0 540 03 |
| Plastic | 6 503 90 | | 6 503 31 | |

Dimensions :

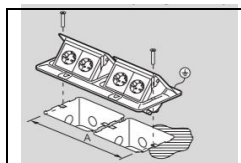
| Metal version | X(mm) | Y(mm) | Z(mm) |
|---------------|-------|-------|-------|
| 3 mod | 100 | 100 | 61.2 |
| 4 mod | 100 | 122 | 61.2 |
| 6 (2x3) mod | 100 | 210 | 61.2 |
| 8 (2x4) mod | 100 | 255 | 61.2 |



| Plastic version | X(mm) | Y(mm) | Z(mm) |
|-----------------|-------|-------|-------|
| 3 mod | 112 | 112 | 62.2 |
| 6 (2x3) mod | 112 | 222 | 62.2 |



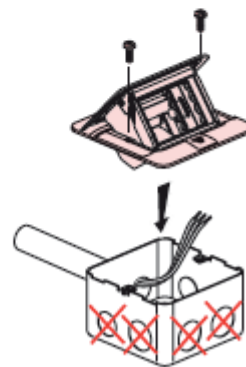
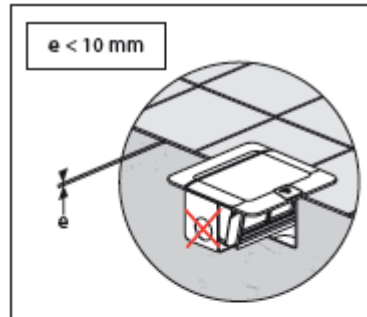
Concrete floor space

| | | |
|---|-----------------|-------|
|  | metal & plastic | A(mm) |
| | 3 modules | 84 |
| | 4 modules | 106.5 |
| | 6 modules | 194 |
| | 8 modules | 239 |

2. INSTALLATION (continued)

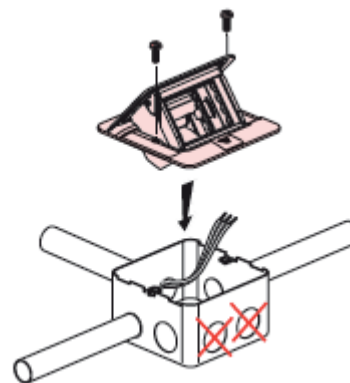
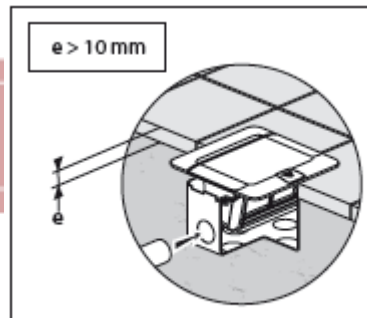
Note: IMPORTANT!

If $e < 10\text{mm}$, conduits diameter 20mm must enter the back box by the back side, for all boxes 3, 4, 6 and 8 modules



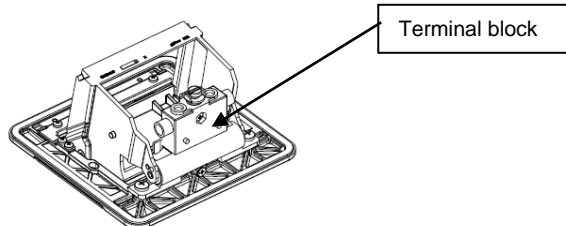
Note: IMPORTANT!

If $e > 10\text{mm}$, conduits diameter 20mm must enter the back box by the front side, for all boxes 3, 4, 6 and 8 modules

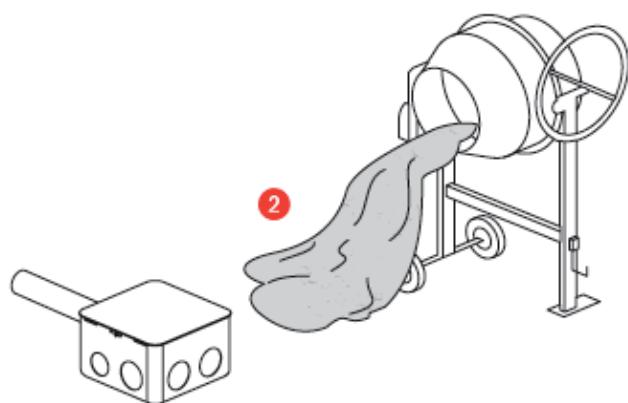
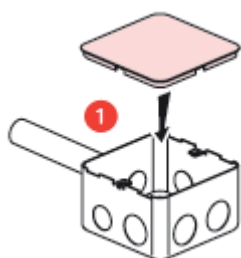


2. INSTALLATION (continued)

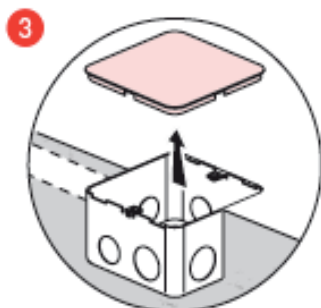
Pop-up is delivered with terminal block.



(1) It is necessary to close the back box for concrete using the protection cover delivered with before (2) pouring the concrete in order to prevent that the concrete to enter in the backbox

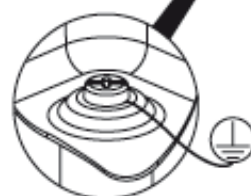
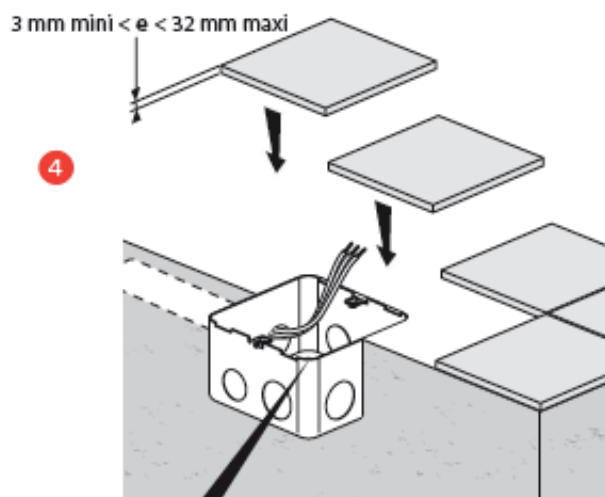


(3) Before the installation of pop-up, remove the cover protection delivered with the back box

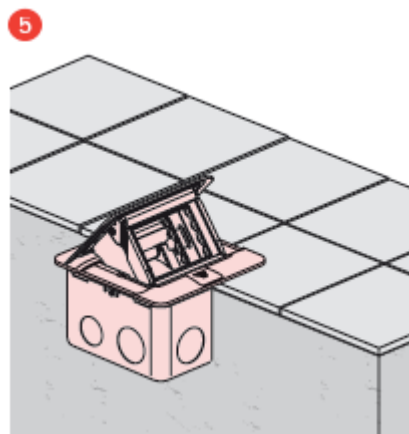


2. INSTALLATION (continued)

(4) On concrete floor with the back box, be careful during the installation of the backbox to the concrete floor. Before fitting coating, adjustment of the level (3mm mini)



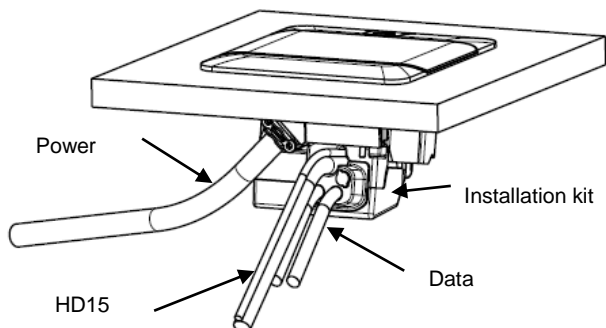
(5) Installation of Pop-up on the concrete floor by screwing on the back box



2. INSTALLATION (continued)

2.2 On raised floor

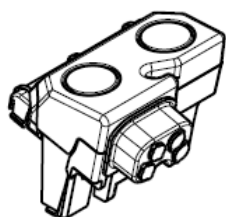
System overview.



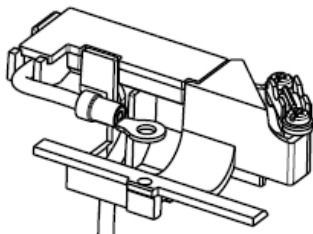
To fix on the raised floor

| References | Installation kit for Pop-up |
|------------|----------------------------------|
| 0 540 05 | Installation kit 3modules |
| 0 540 06 | Installation kit 4modules |
| 0 540 07 | Installation kit 6(2x3) modules |
| 0 540 08 | Installation kit 8 (2x4) modules |

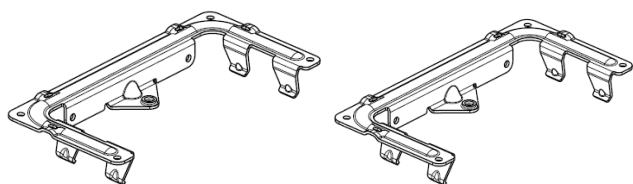
Composition :



1 insulation unit



1 Clamp support

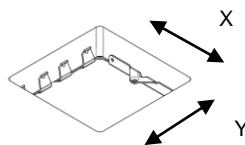


1 fixing bracket set

Fixations supports, allows to install the product directly on the raised floor.

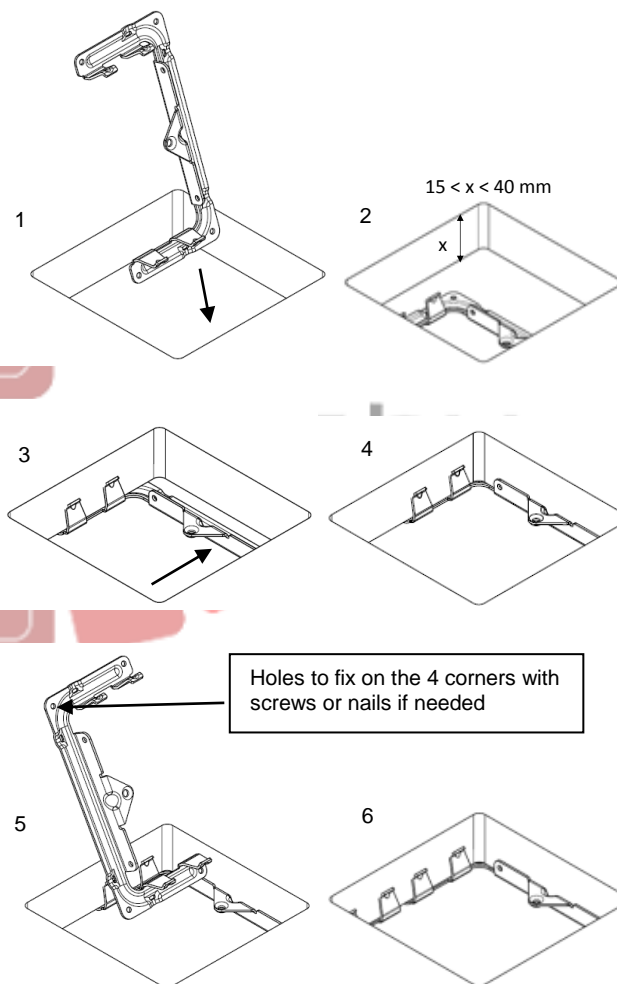
2. INSTALLATION (continued)

Raised floor cut out



| | X(mm) | Y(mm) |
|-------|--------------|--------------|
| 3 mod | 108 (+/-1mm) | 108 (+/-1mm) |
| 4 mod | 108 (+/-1mm) | 131 (+/-1mm) |
| 6 mod | 108 (+/-1mm) | 218 (+/-1mm) |
| 8 mod | 108 (+/-1mm) | 263 (+/-1mm) |

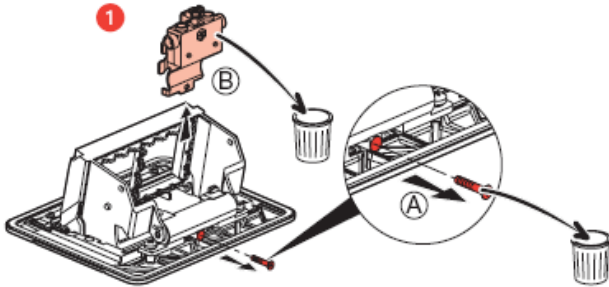
Positioning of the fixation supports in raised floor



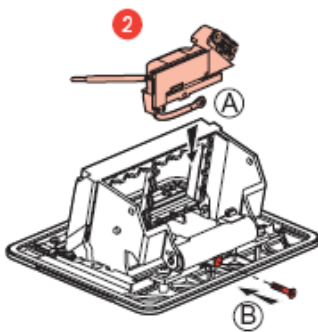
3. EQUIPEMENT

2.2 On raised floor

Before the installation of the kit, remove the terminal block delivered with the Pop-up (not to be used in this configuration)



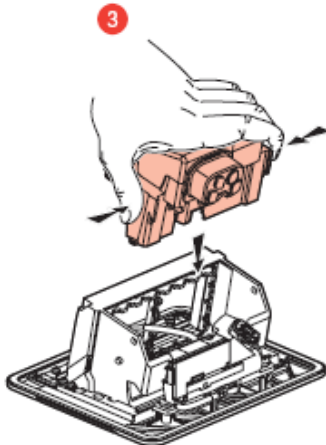
Please use the clamp support if you need power.



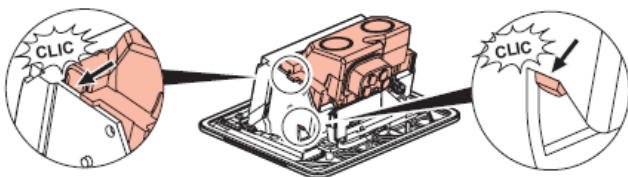
A : put the clamp support on the cylindrical dumper fix with the earthing screw
B : earth on the metal part on the Pop-up

Support clamp is not necessary if you use only data socket

Installation of the insulation unit.



Position your fingers as represented above, press the kit and insert it in the Pop-up until clic.

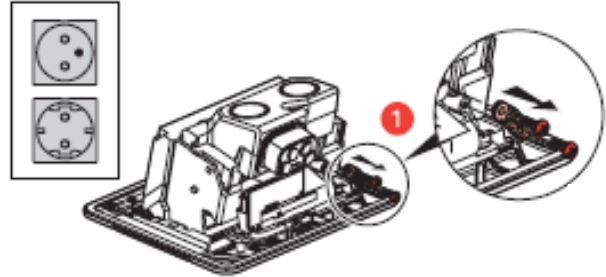


3. EQUIPEMENT (continued)

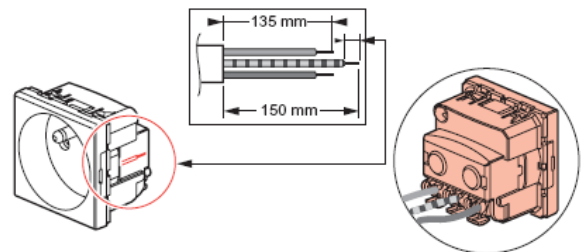
Installation for power sockets :

Assembly of the power cable in the Pop-up before the connection to wiring devices :

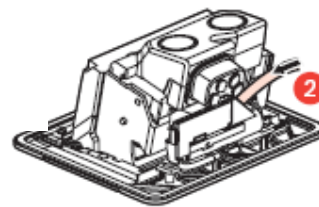
1- Remove the cable clamp



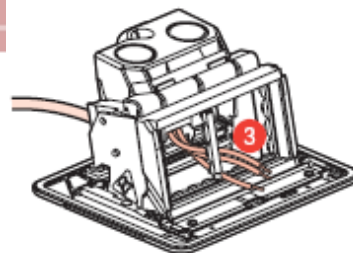
Wiring scheme with stripping :



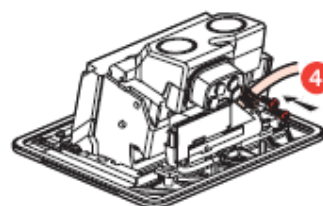
2- Insert the cable (please use only flexible cable) through the clamp support.



3- Let exceed only the stripped part of the cable inside the Pop-up



4- Lock the cable with the cable clamp

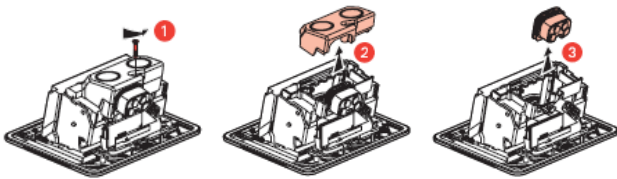


Connect the sockets cable before clipping on the support.

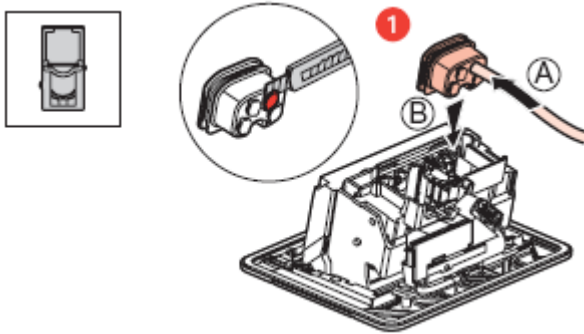
3. EQUIPEMENT (continued)

Assembly of the Ethernet cable for network in the Pop-up before the connection to RJ 45 sockets :

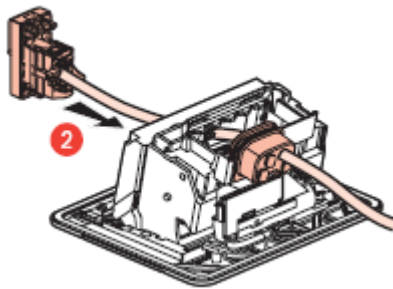
Remove the cable exit :



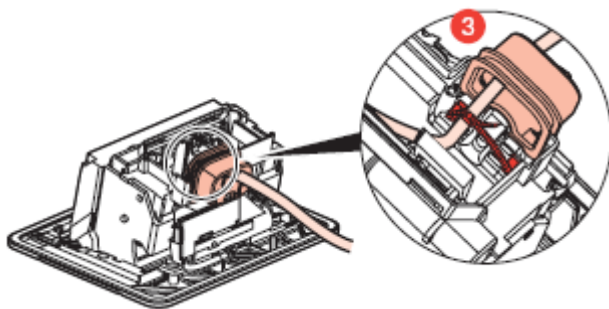
1- Cut out the protective cap according to the number of cable (4 max)



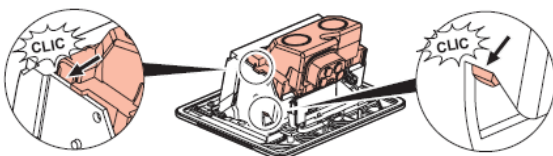
2- Pass the cables through the support to connect the sockets and clip them on the frame



3- Reposition the cable exit and block the cable using the cable tie.



Reassemble the cover with its screw to finalize the installation

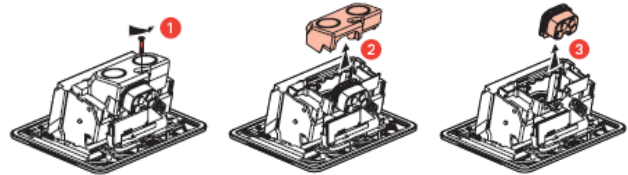


3. EQUIPEMENT (continued)

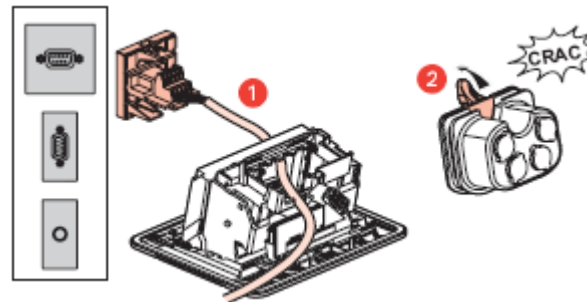
Installation for Audio/video sockets :

Assembly of the Audio cable in the Pop-up before the connection to HD 15 sockets :

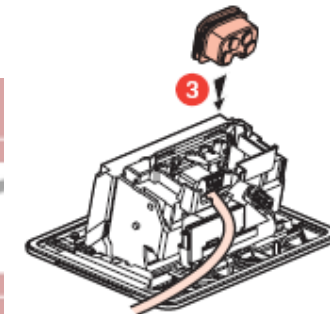
Remove the cable exit :



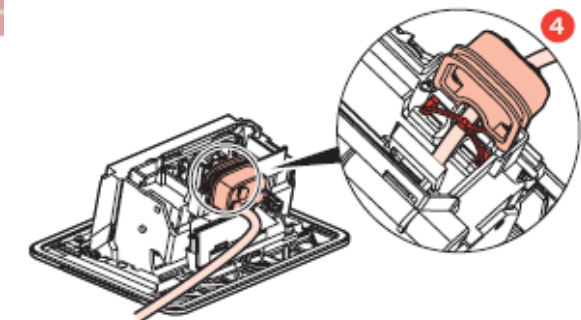
1- Pass the cable through the support to connect the HD 15 sockets
2- Break the strip allowing the passage of the cable



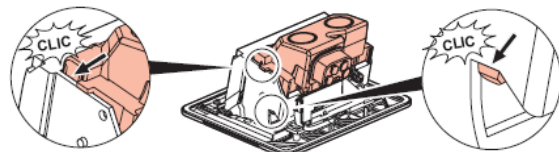
3- Position the cable in its receptacle and reposition the cable exit.



4- Lock the cable using the cable tie.



Reassemble the cover with its screw to finalize the installation

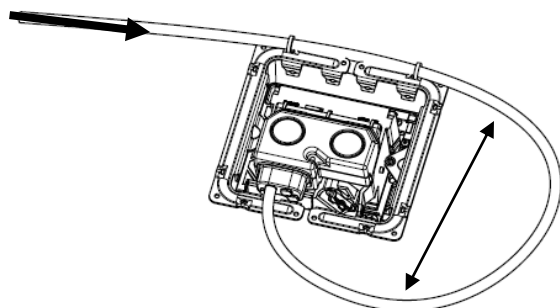


Note: in the case of audio/video mixed equipment (HD 15 + jack 3.5mm) equipped with two cords, proceed in the same way.

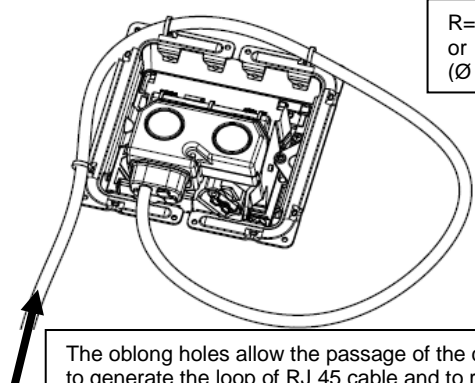
Specific rules for data cable

Positioning of data cables on the raised floor:

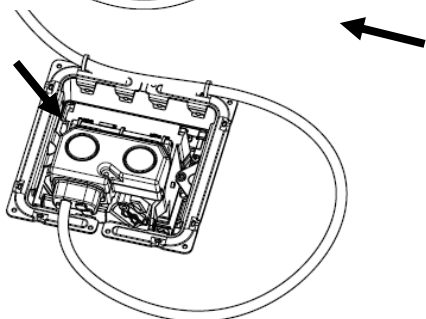
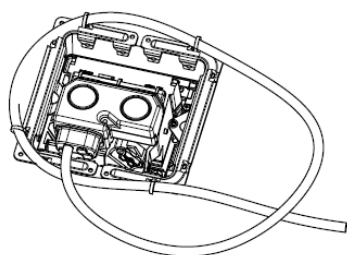
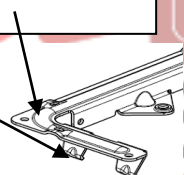
To respect the bend radius for data cables, it is necessary to fix the cables by respecting a radius higher than 80mm (curve of the cable at the exit on the kit and the points of fixing of the cable on the fixation supports).



R=80mm
or
(Ø 160mm)



The oblong holes allow the passage of the cable ties to generate the loop of RJ 45 cable and to respect the bend radius for data cables.



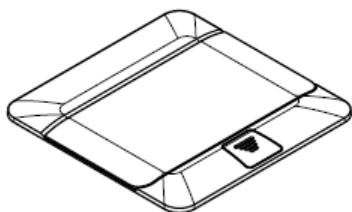
Maximum cable for data in assembly in a raised floor : cable 6a F/UTP

Note : if installation with several cables, they must be attached together using a cable tie

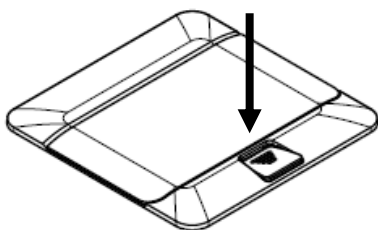
4. TECHNICAL CHARACTERISTICS

4.1 Opening of the Pop-up

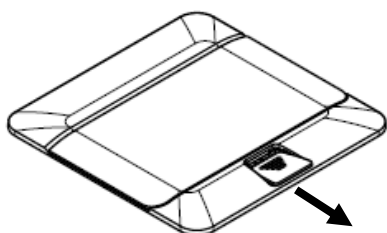
When closed, the Pop-up is locked



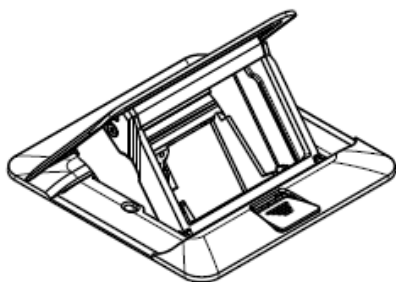
Press on the button to unlock the safety system



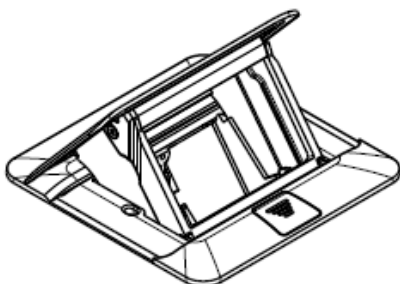
Pull the button



The trap door rises



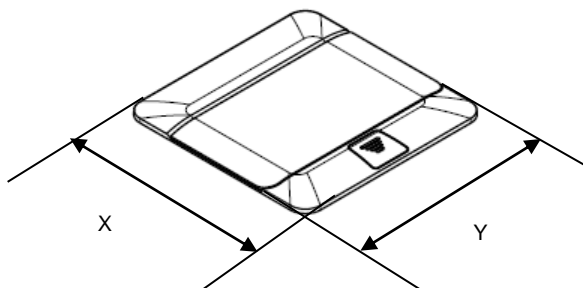
The button is positioned back automatically and the trap is locked when it is in high position (open)



To close again the Pop-up, it is necessary to press and pull to unlock.

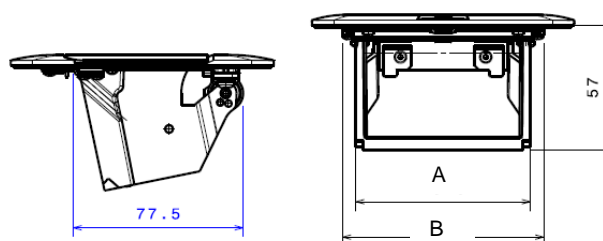
4. TECHNICAL CHARACTERISTICS (continued)

4.2: Dimensions of the Pop-up



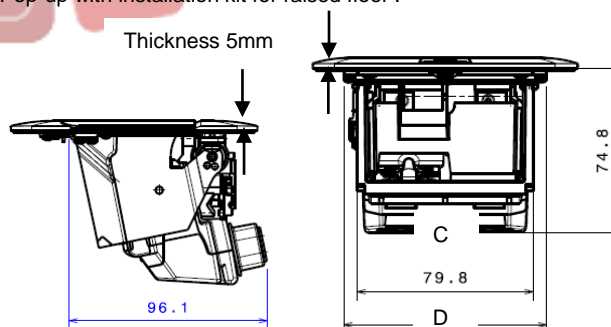
| | X(mm) | Y(mm) |
|---------|-------|-------|
| 3 mod | 120 | 120 |
| 4 mod | 120 | 142.5 |
| 2x3 mod | 120 | 230 |
| 2x4 mod | 120 | 275 |

Pop-up (empty):



| | A(mm) | B(mm) |
|---------|-------|-------|
| 3 mod | 79.8 | 92 |
| 4 mod | 102.3 | 114.5 |
| 2x3 mod | 189.8 | 202 |
| 2x4 mod | 231.6 | 247 |




Pop-up with installation kit for raised floor :



| | C(mm) | D(mm) |
|---------|-------|-------|
| 3 mod | 79.8 | 92 |
| 4 mod | 102.3 | 114.5 |
| 2x3 mod | 189.8 | 202 |
| 2x4 mod | 231.6 | 247 |

4. TECHNICAL CHARACTERISTICS (continued)

B : Table of compatibility of equipment which can be installed.

| Type of sockets | Modules |
|---|---|
| Mosaic & Arteor |  |
| RJ 1 & 2 modules To use in raised floor only |  |
| Low voltage socket |  |

Please note that:

- for unswitched british standard socket you have to intall it at 90°



- for switched british standard socket, you have to install the mechanism at 180°.



4. TECHNICAL CHARACTERISTICS (continued)

C : Classification for Pop-up standard:

Standard NFC 61-314 / EN 60 670-1 / EN 60 670-23)

| | |
|---|----------------------------|
| Rated voltage | 250 V~ |
| To earth the system | R < 0,05 Ohms |
| Protection against mechanical impact: | IK07 |
| Degrees of protection provided by enclosure: | IP30 open - IP40 closed. |
| Resistance to vertical load applied through small surface area: | 1500N open - 3000N closed. |
| Insulation resistance | U=500V - R > 5M Ohms |
| Electric strength : | 2000V |

Installation on the floor : to be installed on floor subjected to a dry treatment.

Material :
 Material halogen free, fire proofed and no propagator of the flame.
 Resistant to corrosion and to the changes of temperature

| Finishes | Material |
|-----------------|----------------------|
| Brass | Brass material |
| Aluminium | Aluminium material |
| Stainless steel | Zamak nickel coating |

Installation :
 On the floor (raised floor or concrete floor - do not use data with concrete)

Safety :
 You must earth the system

Assembly :
 Position the sockets directly in the supports (the installation is done by before)
 Remove the support, using a tool
 Open the cover by simple pressure on button located on the surface

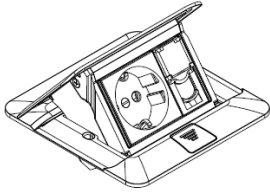
Cleaning :
 The exterior should only be cleaned using a damp cloth (to avoid the contact with the active parts)
 Do not use grittings

5. EXAMPLES TO USE

Example with wiring accessories on Pop-up :

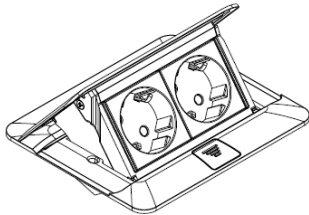
In Pop-up 3 modules :

1 socket German standard 2P+E + 1 RJ 45 socket Cat6 UTP

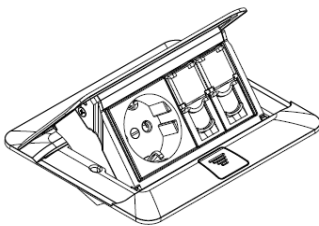


In Pop-up 4 modules :

2 sockets German standard 2P+E

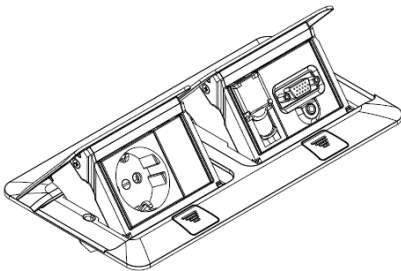


Or 1 socket German standard 2P+E + 2 RJ 45 sockets Cat6 UTP



In Pop-up 2x3 modules :

1 socket German standard 2P+E + 1 blanking plate
+ 1 RJ 45 socket Cat6 UTP + 1 HD 15



In Pop-up 2x4 modules :

2 sockets German standard 2P+E + 1 HD 15 + 2 RJ 45 sockets
Cat6 UTP

