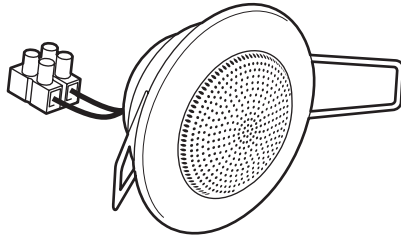
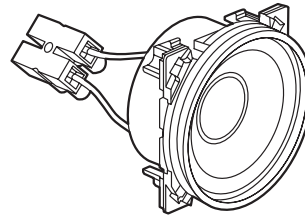


Céliane™ Loudspeakers

Cat. Nos: 0 673 27/28



0 673 27



0 673 28

1. USE

These loudspeakers link to the 1-zone or multizone sound distribution offer.

2. RANGE

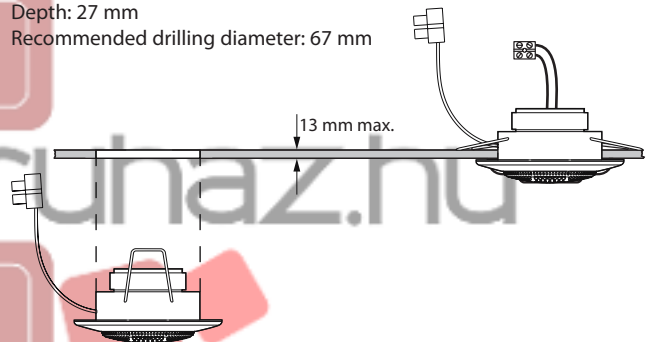
Description	White	Anthracite
2" loudspeaker spot type For false ceiling and plasterboard Equipped with 2 arises for attachment	0 673 27	-
Wall-mounting 2" loudspeaker Installation in box depth 50 mm recommended. Vertical and horizontal multi-gang mounting.	-	0 673 28

3. DIMENSIONS (mm) (continued)

References	A	B	C	D
0 673 27	106	30	12	-
0 673 28	50	50	19	5

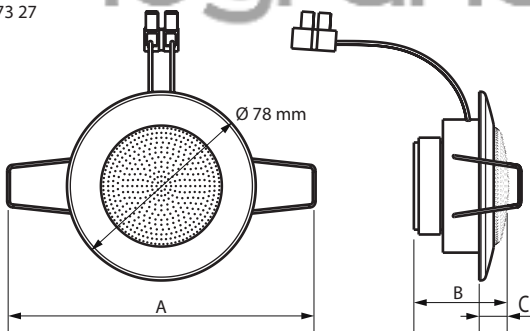
4. INSTALLATION

Depth: 27 mm
 Recommended drilling diameter: 67 mm

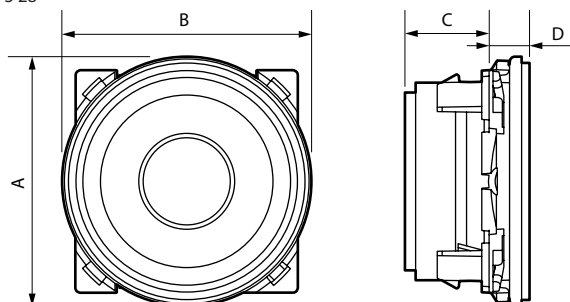


3. DIMENSIONS (mm)

0 673 27



0 673 28



5. CONNECTION

Type of terminals: with screws
 Wires cross section: min. 0.25 mm² - max. 1.5 mm²
 Screwdriver: flat 3 mm

Note: Make sure you are complying with local building codes before installing these loudspeakers.

Try to use identical wire lengths when wiring the right and left-hand loudspeakers.

Make sure that each installed pair of loudspeakers is connected correctly. Max. distance of 25 mm between the local control unit and the loudspeaker using a 1-mm² wire.

6. TECHNICAL CHARACTERISTICS

■ 6.1 Mechanical characteristics

Protection against impacts: IK 04

Protection against solid bodies and liquids: IP 20

■ 6.2 Material characteristics

Hub cap and grid: Zamak White RAL 9003

Marking Base: Sticker

Self-extinguishing:

+ 850° C / 30 s for insulating parts holding live parts in place.

+ 650° C / 30 s for other parts made of insulating materials.

■ 6.3 Electrical characteristics

Power: 2 W

Impedance: 16 Ω

Sound pressure level: 78 dB

Frequency: 400 Hz to 17 K Hz

■ 6.4 Climatic characteristics

Use temperature: + 5° C to + 45° C

Storage temperature: - 10° C to + 70° C

7. CLEANING

Surface cleaning with a cloth.

Do not use: acetone, tar remover, trichloroethylene.

Paint must not be applied to Cat. No 0 673 27.

Caution: A preliminary test should be carried out if other specific cleaning products are to be used.

8. STANDARDS AND APPROVALS

Compliance with installation and manufacturing standards.

Refer to e-catalogue.

legrandaruhaz.hu