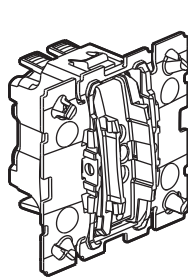
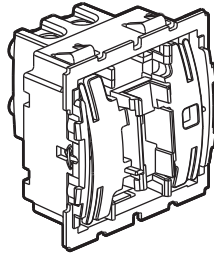


Céliane™
10 AX controls

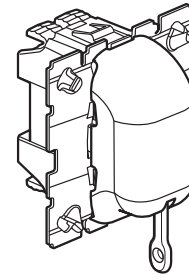
Cat. No(s): 0 670 01/05/08



0 670 01



0 670 05



0 670 08

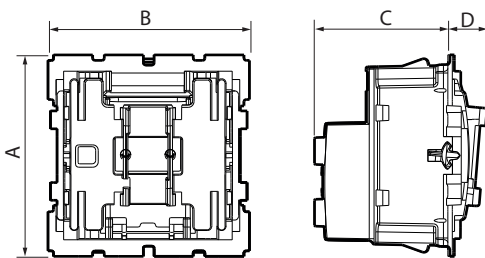
1. USE

General lighting control mechanisms with or without indicating components.

2. RANGE

Description	Cat. No.
2-way switch - Toggle mechanism Option to create a double 2-way switch in a 1-gang version	0 670 01
Intermediate switch - Toggle mechanism For adding a third control point in a 2-way switch installation 1-gang	0 670 05
Pull-cord 2-way switch 1-gang	0 670 08

3. DIMENSIONS (mm)

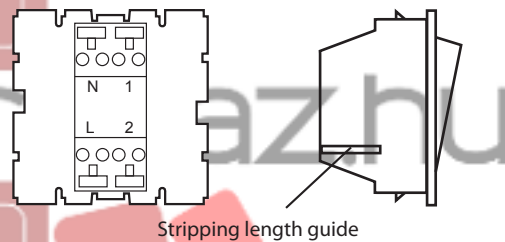


Cat. Nos	A	B	C	D
0 670 01	45	45	24	8
0 670 05	45	45	30	8
0 670 08	45	45	22.5	17.5

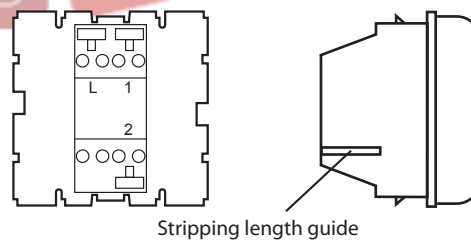
4. CONNECTION

Cat. Nos	Terminals	Capacity	Stripped length	Screwdriver
0 670 01	Automatic	2 x 2.5 mm ²	12 mm	-
0 670 08	Automatic	2 x 2.5 mm ²	13 mm	-
0 670 05	Screw	1 x 4 mm ²	10 mm	Phillips No. 1 Posidrive No. 1 Flat 4 mm

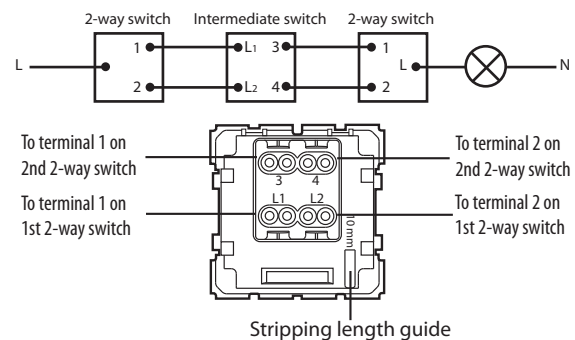
Cat. No. 670 01



Cat. No. 0 670 08

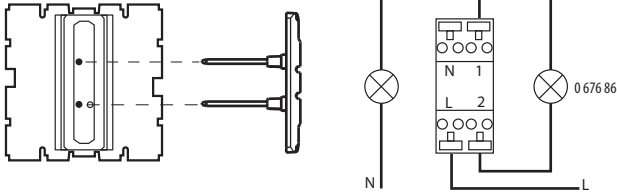


Cat. No. 0 670 05

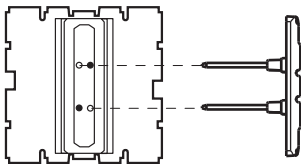


5. WIRING

- **5.1 Illumination function:** ensures the switch is visible in the dark.
Cat. No: 0 670 01
Use a special cover plate.
Insert indicator Cat. No. 0 676 86 or indicator Cat. No. 0 676 87.

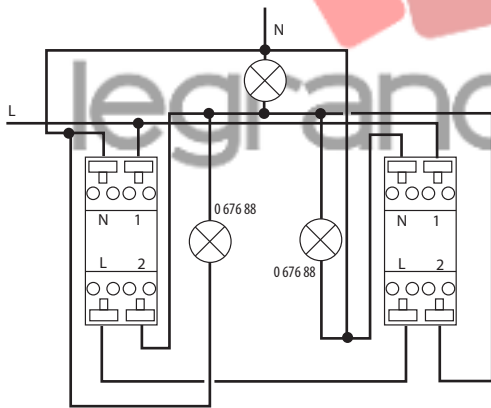


- **5.2 Signalling function (state of a circuit)**
Cat. No: 0 670 01 (equipped with a neutral terminal)
Use a special cover plate.
Cat. No. 0 676 88



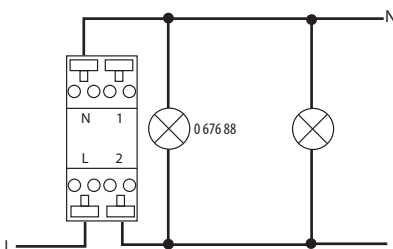
2-way switch connection

⚠ Non-standard drawing.
To use only with 2 same mechanism (Ref. 0 670 01).



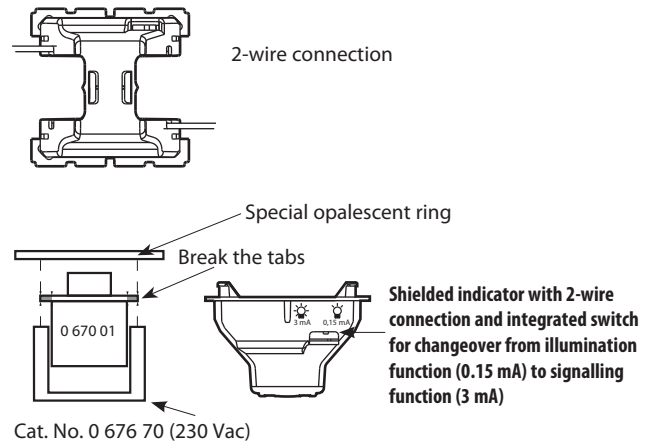
1-way switch connection

The signalling function may not operate if the cut-off phase is connected to terminal 1.

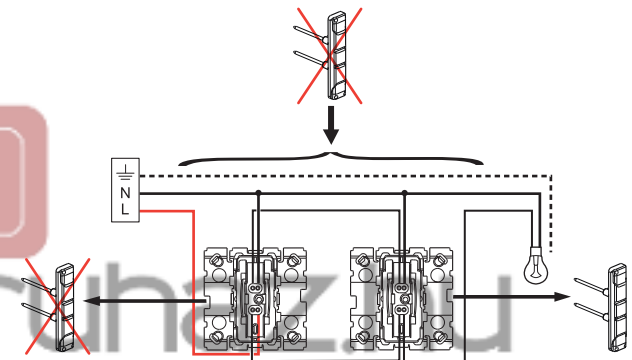


5. WIRING (continued)

- **Illumination function or signalling function**
Separate indicator
Cat. No. 0 676 70 (230 Vac)



- **5.3 Signalling indicator**
Existing wiring
Cat. No. 0 676 85



6. TECHNICAL CHARACTERISTICS

- **6.1 Mechanical characteristics**

Impact tests: IK 04
Penetration by solid bodies and liquids: IP 21 D

- **6.2 Material characteristics**

- Mechanism: PC
- Colour: grey
- Halogen-free

Self-extinguishing:

+ 850° C/30 s for insulating parts holding live parts in place
+ 650° C/30 s for other parts made of insulating materials

- **6.3 Electrical characteristics**

Voltage: 250 V~
Current: 10 AX

- **6.4 Climatic characteristics**

Storage temperature: - 5° C to + 35° C
Operating temperature: - 5° C to + 35° C

7. ACCESSORIES

Bulbs for switches with indicator:

Illuminated	Signalling	Signalling/Illuminated
0 676 86 (230 V/0.15 mA) 0 676 87 (12/24/48 V)	0 676 88 distributed phase (230 V/3 mA) 0 676 85 (230 V/3 mA)	0 676 70 (230 V)

Cord for pull-cord 2-way switch

0 670 08	0 898 05 cord 1.5 m
----------	---------------------

8. STANDARDS AND APPROVALS

Compliant with installation and manufacturing standards.
See e-catalogue.

